

SERVICE BULLETIN

Affected Park:
Affected Ride: INVERTED COASTER
Ride Name:

Item: Vehicles bumpers SP # IC FB7 4505

Abstract of Issue:
Inspection of the vehicles front and back bumpers condition.

Reason for Release:
Risk of loss of a train bumper due to hydrolyze of material (crumbling of the polyurethane).

Actions to be taken:

- 1) Visual inspection of the attachment, as shown in the detail of issue.
- 2) Replacement of bumpers presenting signs of material hydrolyze.

Completion:

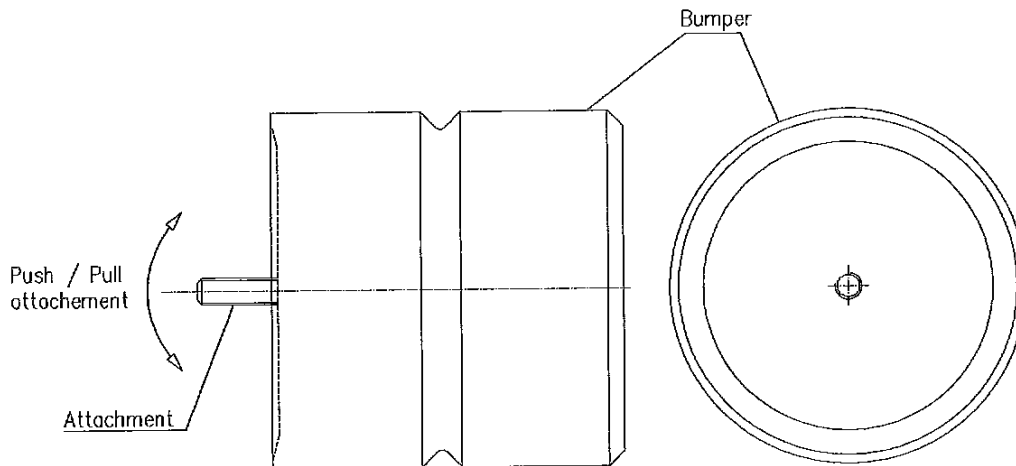
- 1) Immediately: visual inspection of the attachment (bumper must be dismantled for this inspection).
- 2) Further inspections: manually push and pull the bumper to check if it stays in place. This weekly inspection must be implemented in addition to the usual maintenance inspection.

Bulletin No.:	10
Release Date:	March 13, 2009
Effective Date:	March 13, 2009
Supersedes:	none
Issued by:	V. Sierro
Checked by:	E. Berra
Page:	2 of 2

SERVICE BULLETIN

Detail of Issue:

- 1) Manually push and pull the attachment to check for movement of the inserted threaded stem or sign of hydrolyze of the bumper material.



- 2) To complete the control and determine if the material is affected, mark the bumper surface on the fastener side with a sharp object (i.e. screw driver). The sharp object should not leave a groove in the polyurethane.