



TO: Owners and Inspectors of Wipeout rides manufactured by Chance

FROM: Joseph G. Filoromo Supervisor Amusement Ride Safety Division.

SUBJECT: Immediate Shutdown of Wipeout rides manufactured by Chance

DATE: July 3, 2018

Please cease operations of these rides. Recently we have discovered structural cracks in the Turret Frame of almost every Wipeout that we have looked at.

See the images that we have prepared as a guide for re-inspection by a qualified Pennsylvania Ride Inspector.

Re-inspect the ride with special attention to the images that we have prepared as a guide for re-inspection.

What you need to do if you find any indications:

- **If you find indications contact the manufacturer for their instructions for repair or replacement. If repairs are made per the manufacturer's instructions include said instructions along with a letter of compliance from a certified welder with a new Inspection Affidavit. You must communicate directly with the manufacturer because existing procedures appear to differ between owners per Chance.**
- **Any repairs or replacement other than prescribed by the manufacturer will require certification of compliance with 7 Pa Code Chapter 139 from a Professional Engineer who is licensed in Pennsylvania.**

If you find no notifications:

- **Submit a new Inspection Affidavit that is completed by a Qualified Pennsylvania Certified Inspector.**

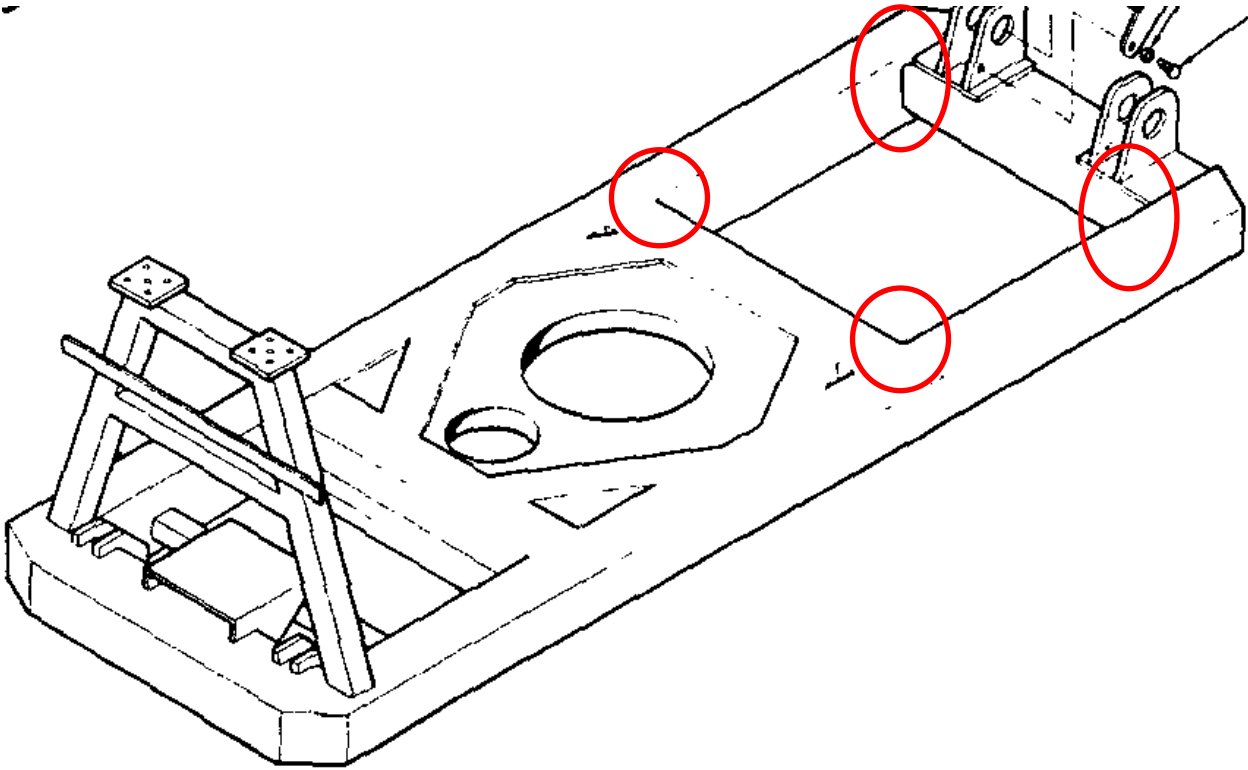
Please send the above-mentioned materials to jfiloromo@pa.gov or fax to 717-425-7274 before the ride is back in operation.

See the following pages

THANK YOU

Chance Wipeout

Recently there have been several Wipeout rides manufactured by Chance with cracks in the center. The cracks have been found on the turret where the side rails meet the long main rails. So far, the cracks have been found on the turret between the center and the main boom pivot.



Here are some pictures of the cracks found so far:





