



NUMBER: B406R1177-0

DATE: May 23, 1997

SUPERSEDES:

SERVICE BULLETIN

Effective Serial Number: Units 1 through 42 (Portable Units Only)

Ride: CENTURY WHEEL

Subject: Wind Brace Supports

Chance Rides, Inc. has become aware, through field experience, that damage to the wind brace supports on the CENTURY WHEEL amusement ride can occur during set-up and tear-down of the ride. Damage to the wind brace supports can occur if a wind brace is dropped on a support, if someone walks on a wind brace while it is positioned on a support, or if a wind brace bounces up and down on a support due to an abrupt stop while the stub-towers are pulled out or pushed in.

Chance Rides, Inc. has designed a new wind brace support. The new supports are made of a heat treated material with the 4 inch diameter stop plate heat shrunk to the shaft.

NOTE: Welding on a wind brace support will change the hardness of the shaft and allow damage to occur. DO NOT WELD on the wind brace supports.

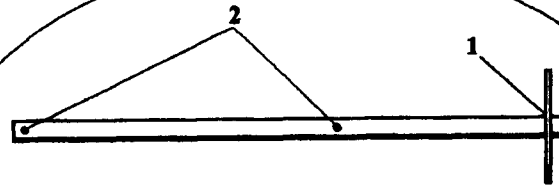
All owner/operators of the above noted CENTURY WHEELS are required to order and install the new style wind brace supports, part number 30840900. Four wind brace supports are required per ride and are available at no charge if ordered within 90 days of the date on this bulletin.

All work must be performed by qualified personnel, capable of understanding the function of the parts and their proper installation.

NOTICE

Use only those components authorized, specified or provided by Chance Rides, Inc.

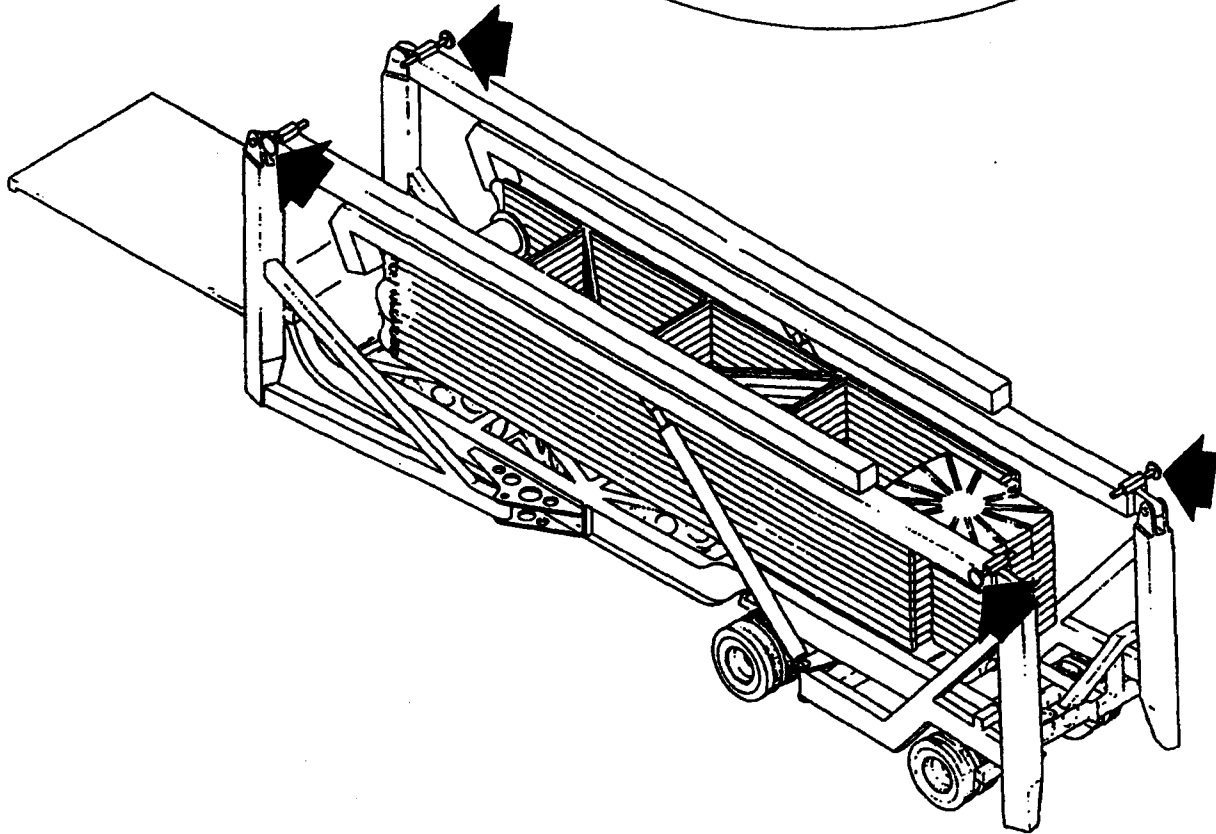
Chance Rides, Inc. SPECIFICALLY DISCLAIMS ANY LIABILITY for losses associated with any unauthorized alteration and/or modifications or additions and installations of unauthorized components.



**New style
WIND BRACE SUPPORT
(4 places)**

Note these differences between new style
and old style parts:

1. Stop plate is shrink-fit
to shaft, not welded
2. Only two drilled holes



CAUTION: Wind braces are heavy and can cause personal injury if they do not stay in place during set-up and tear-down of the ride. Always make sure that the wind brace supports are in their fully extended position when being used. Observe the wind braces during each set-up and tear-down to insure they do not contact the tower leg bolt-up plates.