



CHANCE RIDES MANUFACTURING, INC.
4200 Walker
Wichita, KS 67277-2328
U.S.A.
Phone: 1-316-942-7411 • FAX: 1-316-942-2012
Website: www.rides.com
E-mail: rides@rides.com

Bulletin No:	B411CRM114-0
Release Date:	April 3, 2003
Effective Date:	Immediately
Supersedes:	N/A
Completion Date:	November 30, 2003
Page:	1 of 3

SERVICE BULLETIN

Ride Manufacturer: CHANCE RIDES, INC.

Affected Production Dates: All

Ride Name: FAMILY COASTER

Affected Serial Nos.: All Units

Model No.: 411

Abstract of Issue:

Floor Pan Rework

Reason For Release:

Chance Rides Manufacturing, Inc. has become aware that the floor pans on the above noted FAMILY COASTER amusement rides can crack after years of operation. A rework kit has been developed to reinforce these areas.

Action to be Taken:

Chance Ride Manufacturing, Inc. requires all owner/operators of the above noted FAMILY COASTER amusement rides to immediately inspect the floor pans on all cars as described in this bulletin. The inspection must be performed monthly until the Floor Pan Rework Kit is installed. The Floor Pan Rework Kit must be installed no later than November 30, 2003.

Order and install the Floor Pan Rework Kit, part number K411CRM114-0, which includes all parts necessary to rework one complete ride (4 cars). The kit will be provided at a reduced price if ordered within 60 days of the release date on this bulletin. Complete installation instructions are provided with the kit.

All work must be performed by qualified personnel, capable of understanding the function of the parts and their proper installation. Use only those components authorized, specified or provided by Chance Rides Manufacturing, Inc. All applicable OSHA safety standards and safe industry practices must be observed.

Observe all safety information contained in the manufacturer's manuals. Make available this bulletin and all related technical information to personnel using the equipment.

Chance Rides Manufacturing, Inc. issues notifications for the benefit of owners of amusement rides manufactured by Chance Rides Manufacturing, Inc. As a service to the industry, and in the interest of employee and public safety, Chance Rides Manufacturing, Inc. also issues notifications for the benefit of owners of amusement ride equipment for which the manufacturer no longer exists, such as the Allan Herschell Company, Chance Manufacturing Co., Inc., Chance Rides, Inc., etc. In doing so, Chance Rides Manufacturing, Inc. does not assume liability for losses associated with amusement ride equipment built by manufacturers other than Chance Rides Manufacturing, Inc.



CHANCE RIDES MANUFACTURING, INC.
4200 Walker
Wichita, KS 67277-2328
U.S.A.
Phone: 1-316-942-7411 • FAX: 1-316-942-2012
Website: www.rides.com
E-mail: rides@rides.com

Bulletin No:	B411CRM114-0
Release Date:	April 3, 2003
Effective Date:	Immediately
Supersedes:	N/A
Completion Date:	November 30, 2003
Page:	2 of 3

Ride Manufacturer: CHANCE RIDES, INC. Affected Production Dates: All

Ride Name: FAMILY COASTER Affected Serial Nos.: All Units

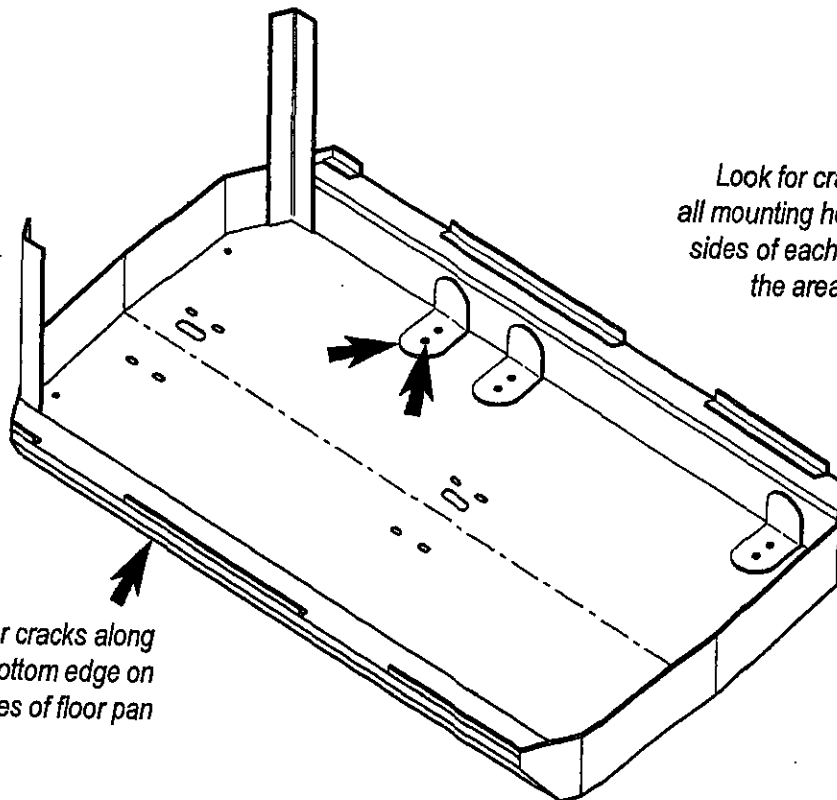
Model No.: 411

Detail of Issue (continued):

Inspection of Floor Pan

Visually inspect the floor pan of every car for cracks in the areas shown below.

NOTE: This inspection can be performed without disassembling the car. The fiberglass body panels are not shown in the illustration for clarity.



Look for cracks around all mounting holes on both sides of each floor pan in the areas indicated.

Look for cracks along outside bottom edge on both sides of floor pan



CHANCE RIDES MANUFACTURING, INC.
4200 Walker
Wichita, KS 67277-2328
U.S.A.
Phone: 1-316-942-7411 • FAX: 1-316-942-2012
Website: www.rides.com
E-mail: rides@rides.com

Bulletin No: B411CRM114-0
 Release Date: April 3, 2003
 Effective Date: Immediately
 Supersedes: N/A
 Completion Date: November 30, 2003
 Page: 3 of 3

Ride Manufacturer: CHANCE RIDES, INC. Affected Production Dates: All

Ride Name: FAMILY COASTER Affected Serial Nos.: All Units

Model No.: 411

Detail of Issue (continued):

If any indications are found, contact the Customer Service Department at Chance Rides Manufacturing, Inc. for instructions on the repairs necessary prior to installation of the Floor Pan Rework Kit.

If no indications are found:

- Proceed with the installation of the Floor Pan Rework Kit.
- OR --
- Perform this inspection monthly until the Floor Pan Rework Kit is installed.

The FLOORPANREWORKKIT, part number K411CRM114-0, includes the following parts:

<u>Part Number</u>	<u>Component</u>	<u>Quantity</u>
411-131-005	DOUBLER PLATE - Right Hand	4
411-131-006	DOUBLER PLATE - Left Hand	4
60842000	HHCS 1/2-13 x 1-1/2" Grade 5	48
68531600	WASHER - FLAT 1/2" ZP	96
64782400	LOCKNUT N/I 1/2-13	80
60766600	HHCS 3/8-16 x 1" Grade 5	240
68530800	WASHER - FLAT 3/8" ZP	480
64781600	LOCKNUT N/I 3/8-16	240