



Number: B108R1052-0

Date: March 23, 1990

SERVICE BULLETIN

Effective Serial Numbers: All Units - Chance Rides Inc.

All Units - Chance Manufacturing Co. Inc.

Chance Rides, Inc. SPECIFICALLY DISCLAIMS ANY LIABILITY for losses associated with rides produced by Chance Manufacturing Company, Inc.

Ride: SKY DIVER

Subject: Steering Wheel Guard and
Grab Rail Replacement

A modification kit has been developed to increase the clearance between the steering wheel and the grab rail, reducing the possibility of injuries due to pinched hands and/or fingers. Additionally, a guard plate installed behind the steering wheel eliminates a potential pinch point at the steering wheel bearing mount.

As a safety precaution, CHANCE RIDES, INC. requires that the owners of all SKY DIVER amusement rides perform the modification described in this bulletin.

Order kit number K108R1052-0, which includes the parts necessary to modify one ride. Install the parts using the instructions provided on the following pages of this bulletin. Fill out the attached Certification Of Compliance for the modification within 15 days of receipt of the kit.

All work must be performed by competent, qualified mechanics, capable of understanding the function of the parts and their proper installation. If there are any questions regarding the instructions or this rework, contact the CHANCE CUSTOMER SERVICE DEPARTMENT.

NOTICE

USE ONLY THOSE COMPONENTS AUTHORIZED, SPECIFIED OR PROVIDED BY Chance Rides, Inc.

Chance Rides, Inc. SPECIFICALLY DISCLAIMS ANY LIABILITY for losses associated with any unauthorized alterations and/or modifications or additions and installations of unauthorized components.

PARTS LIST

STEERING WHEEL GUARD AND GRAB RAIL REPLACEMENT KIT
(Kit Number K108R1052-0 consists of the following parts)

<u>Item</u>	<u>Part No.</u>	<u>Description</u>	<u>Qty.</u>
1	3-3163100	GRAB RAIL (108-1124-001)	16
2	6-0750200	CAPSCREW - Hex Head (5/16-18 x 2)	64
3	6-4781200	LOCK NUT (5/16-18)	64
4	6-8530600	FLAT WASHER (5/16)	64
5	3-5358547	GUARD PLATE (108-1183-001)	16
6	6-1144600	SCREW - Round Head (1/4-20 x 1-314)	32
7	6-1119400	SCREW - Round Head (1/4-20 x 3/4)	32
8	6-8530200	FLAT WASHER (1/4)	64
9	6-4780800	LOCK NUT (1/4-20)	64
10		DRILL BIT 9/32	1
11		DRILL BIT 11/32	1

INSTALLATION INSTRUCTIONS

1. With vehicle hatch in the open position, remove and discard the existing grab rail (Illustration A) and fasteners. Do not install the new grab rail at this time.
2. Remove the steering wheel from the shaft (Illustration B). Save the acorn nut and key.
3. Place the guard plate (Item #5) over the steering wheel bearing. Use the plate as a pattern to locate and drill mounting holes. See Illustration B for hole sizes and locations.
4. Install the guard plate using the fasteners provided (Items #6, #7, #8 and #9).
5. Install the steering wheel using the existing key and acorn nut. The acorn nut should be secured with a liquid locking material.
6. Install the new grab rail (Item #1) using the fasteners provided (Items #2, #3 and #4). Install the capscrews going down through grab rail.

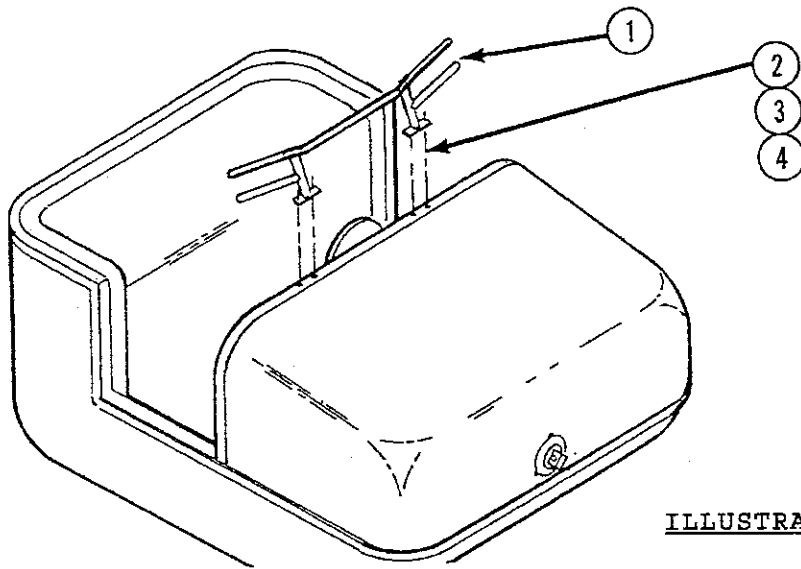


ILLUSTRATION A

CAUTION

AFTER HOLES HAVE BEEN DRILLED, USING A VACUUM,
 CLEAN INSIDE FLOOR OF CAR TO REMOVE METAL FILINGS.
 FAILURE TO DO THIS COULD RESULT IN INJURY TO PASSENGERS.

ILLUSTRATION B

