



CHANCE RIDES MANUFACTURING, INC.
4200 Walker
Wichita, KS 67277-2328
U.S.A.
Phone: 1-316-942-7411 • FAX: 1-316-942-2012
Website: www.rides.com
E-mail: rides@rides.com

Bulletin No:	B376CRM146-B
Release Date:	September 4, 2008
Effective Date:	September 4, 2008
Supersedes:	B376CRM146-A
Completion Date:	December 4, 2008
Page:	1 of 5

SERVICE BULLETIN

Ride Manufacturer: CHANCE RIDES, INC.

Affected Production Dates: All

Ride Name: YO YO

Affected Serial Nos.: All Units

Model No.: 376

Abstract of Issue:

Sweep Lift Cylinder Bearing Inspection and Rework

Reason For Release:

Service bulletin B376CRM146-A is superseded by this bulletin and is no longer in effect.

The sweeps on the YO YO connect to the sweep lift cylinder bearing assembly through the sweep links (the sweep lift cylinder bearing assembly is sometimes referred to as the “spider”). The bearing assembly is secured to the sweep lift cylinder rod by two bearing nuts, and further secured by LocTite® and a bearing lock washer. If the sweep lift cylinder bearing assembly comes loose from the cylinder rod, the sweeps will lower, which can result in personal injury to the passengers.

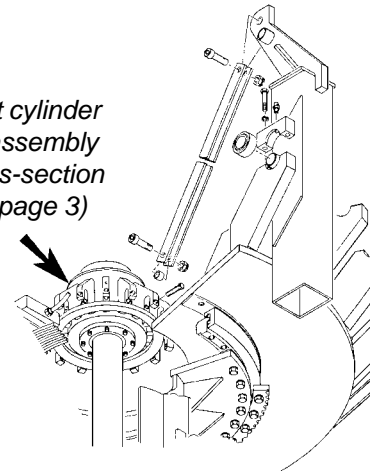
The design of this area has not changed in over 35 years of production. To date, 95 YO YO amusement rides have been built using this design. Chance Rides Manufacturing, Inc. believes that this time-proven design is sound and the ride is safe if all aspects of the design are maintained per the manufacturer’s specification.

The sweep lift cylinder bearing assembly and its connection to the sweep lift cylinder must be periodically inspected to ensure that the parts are functioning properly and that the connection is secure. A rework kit has been developed to make this periodic inspection easier. The rework also provides an additional means of retaining the bearing assembly to the cylinder rod.

This service bulletin defines the following:

- Requirements for performing the rework
- The procedure for inspection of the sweep lift cylinder bearing assembly and its connection to the sweep lift cylinder. This procedure is revised due to the rework.

*Sweep lift cylinder bearing assembly
(See cross-section view on page 3)*





CHANCE RIDES MANUFACTURING, INC.
4200 Walker
Wichita, KS 67277-2328
U.S.A.
Phone: 1-316-942-7411 • FAX: 1-316-942-2012
Website: www.rides.com
E-mail: rides@rides.com

Bulletin No:	B376CRM146-B
Release Date:	September 4, 2008
Effective Date:	September 4, 2008
Supersedes:	B376CRM146-A
Completion Date:	December 4, 2008
Page:	2 of 5

Ride Manufacturer: CHANCE RIDES, INC. Affected Production Dates: All

Ride Name: YO YO Affected Serial Nos.: All Units

Model No.: 376

Action to be Taken:

All owner/operators of YO YO amusement rides are required to rework the sweep cylinder bearing connection at the cylinder rod within 90 days of the receipt of this service bulletin. Further, the inspection described in this bulletin must be performed annually thereafter.

Order and install the Sweep Cylinder Rework Kit, part number K376CRM146-B within 90 days of the release date on this service bulletin. The kit will be provided at a reduced cost during this time frame. It contains all parts necessary to rework one complete ride. Detailed installation instructions are included with the kit.

Installation of this kit is visually indicated by the presence of the spacer ring, as shown on page 3 of this bulletin.

All work must be performed by qualified personnel, capable of understanding the function of the parts and their proper installation. Use only those components authorized, specified or provided by Chance Rides Manufacturing, Inc. All applicable OSHA safety standards and safe industry practices must be observed.

Observe all safety information contained in the manufacturer's manuals. Make available this bulletin and all related technical information to personnel using the equipment.

Chance Rides Manufacturing, Inc. issues notifications for the benefit of owners of amusement rides manufactured by Chance Rides Manufacturing, Inc. As a service to the industry, and in the interest of employee and public safety, Chance Rides Manufacturing, Inc. also issues notifications for the benefit of owners of amusement ride equipment for which the manufacturer no longer exists, such as the Allan Herschell Company, Chance Manufacturing Co., Inc., Chance Rides, Inc., etc. In doing so, Chance Rides Manufacturing, Inc. does not assume liability for losses associated with amusement ride equipment built by manufacturers other than Chance Rides Manufacturing, Inc.



CHANCE RIDES MANUFACTURING, INC.
4200 Walker
Wichita, KS 67277-2328
U.S.A.
Phone: 1-316-942-7411 • FAX: 1-316-942-2012
Website: www.rides.com
E-mail: rides@rides.com

Bulletin No: B376CRM146-B
Release Date: September 4, 2008
Effective Date: September 4, 2008
Supersedes: B376CRM146-A
Completion Date: December 4, 2008
Page: 3 of 5

Ride Manufacturer: CHANCE RIDES, INC.

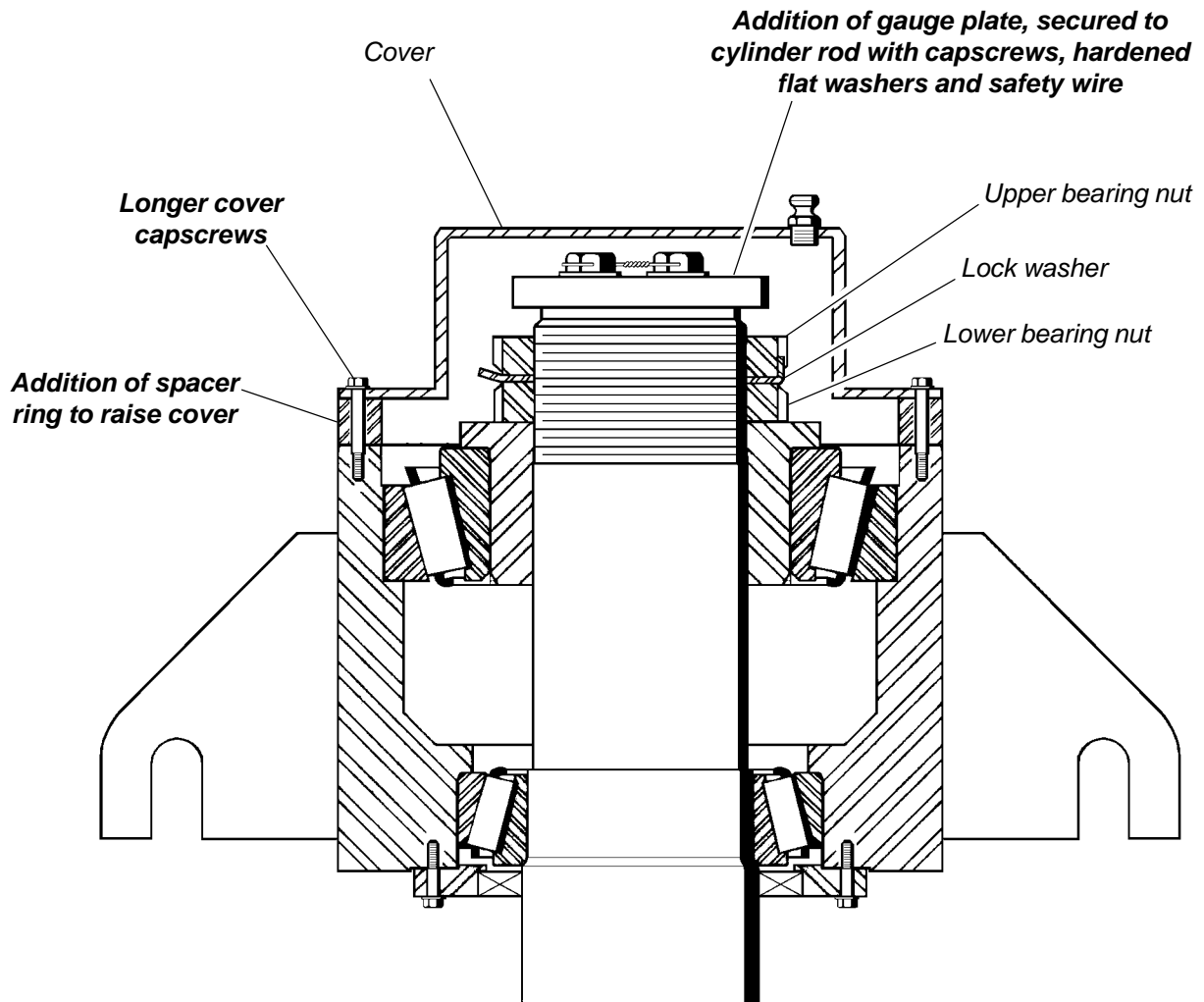
Affected Production Dates: All

Ride Name: YO YO

Affected Serial Nos.: All Units

Model No.: 376

Detail of Issue



**Cross-Section of
Sweep Lift Cylinder Bearing Assembly AFTER Installation of Rework Kit**



CHANCE RIDES MANUFACTURING, INC.
4200 Walker
Wichita, KS 67277-2328
U.S.A.
Phone: 1-316-942-7411 • FAX: 1-316-942-2012
Website: www.rides.com
E-mail: rides@rides.com

Bulletin No: B376CRM146-B
Release Date: September 4, 2008
Effective Date: September 4, 2008
Supersedes: B376CRM146-A
Completion Date: December 4, 2008
Page: 4 of 5

Ride Manufacturer: CHANCE RIDES, INC.

Affected Production Dates: All

Ride Name: YO YO

Affected Serial Nos.: All Units

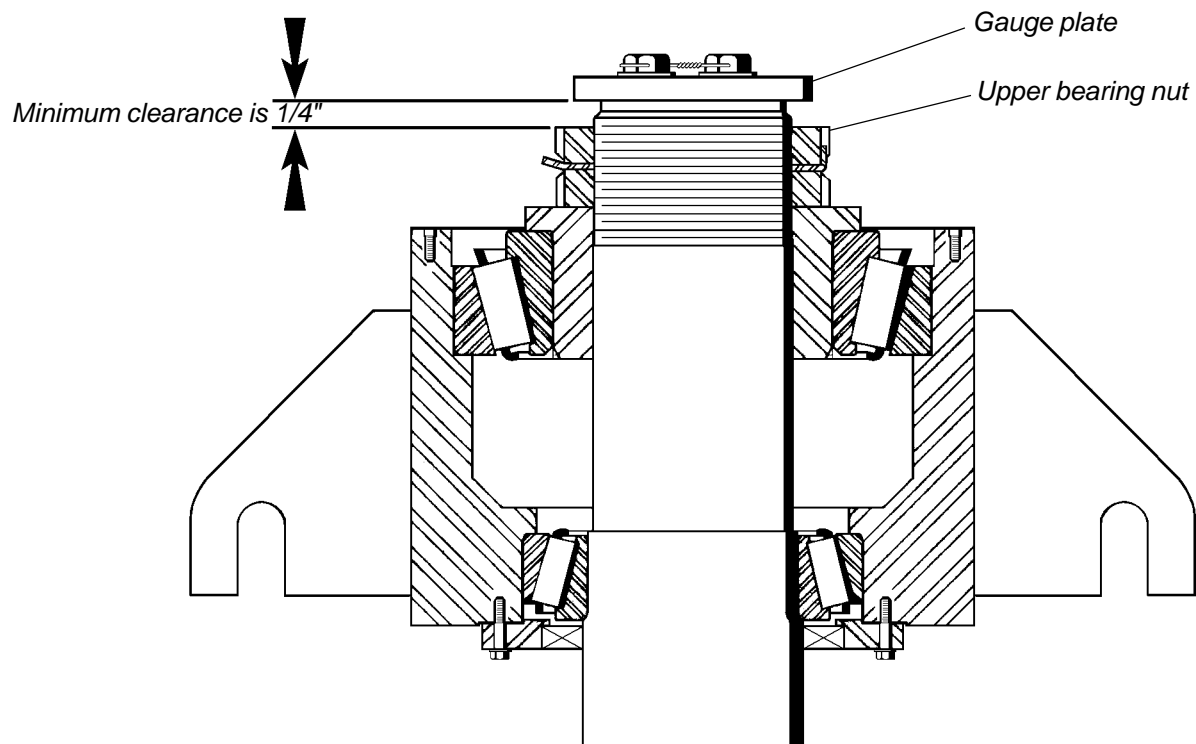
Model No.: 376

Detail of Issue (continued):

Annual Inspection Procedure

NOTE: This inspection procedure applies to rides with the Sweep Cylinder Rework Kit installed.

1. Remove the eight capscrews which secure the cover and spacer ring to the bearing housing. Remove the cover.
2. Wipe excess grease from the area between the gauge plate and the upper bearing nut.
3. Insert the gauge and check for clearance between the gauge plate and the upper bearing nut. (A 1/4" diameter drill bit or a section of 1/4" key stock can be used as a gauge). The minimum allowable clearance is 1/4".





CHANCE RIDES MANUFACTURING, INC.
4200 Walker
Wichita, KS 67277-2328
U.S.A.
Phone: 1-316-942-7411 • FAX: 1-316-942-2012
Website: www.rides.com
E-mail: rides@rides.com

Bulletin No:	B376CRM146-B
Release Date:	September 4, 2008
Effective Date:	September 4, 2008
Supersedes:	B376CRM146-A
Completion Date:	December 4, 2008
Page:	5 of 5

Ride Manufacturer: CHANCE RIDES, INC. Affected Production Dates: All

Ride Name: YO YO Affected Serial Nos.: All Units

Model No.: 376

Detail of Issue (continued):

- **If the gauge cannot be inserted**, it indicates that the bearing nuts have loosened. **DO NOT OPERATE THE RIDE UNTIL NECESSARY REPAIRS HAVE BEEN MADE.** Contact Chance Rides Manufacturing, Inc. for instructions.

- **If the gauge can be inserted**, the ride can be returned to normal operation after reassembly.

4. Thoroughly clean the cover and spacer ring.
5. Apply silicone sealant to the bottom side of the spacer ring and the flange on the cover. Install these parts and secure them in place with the cover capscrews, tightened to 5-6 ft-lbs.
6. After assembly is complete, use the grease fitting in the cover to completely fill the cavity with grease in accordance with the specifications in the *YO YO Operation and Maintenance Manual*.