



CHANCE MORGAN, INC.
 450 McQuaide Drive
 La Selva Beach, CA 95076 U.S.A.
 Phone: 1-831-724-8686
 FAX: 1-831-724-7882
 Website: www.chancemorgan.com
 E-mail: sales@chancemorgan.com

Bulletin No: B750CM103-0
 Release Date: July 29, 2003
 Effective Date: July 29, 2003
 Supersedes: N/A
 Completion Date: August 29, 2003
 Page: 1 of 3

SERVICE BULLETIN

Ride Manufacturer: D.H. MORGAN MFG. CO., INC. Affected Production Dates: See text

Ride Name: COASTER Affected Serial Nos.: See text

Model No.: See text

Abstract of Issue:
 Chassis Inspection

Reason For Release:

Chance Morgan, Inc. has become aware that cracks can develop in the chassis on the following COASTER amusement rides:

- “Wildthing” (Valleyfair) 12" Hyper Coaster (1996)
- “Steel Force” (Dorney Park) 12" Hyper Coaster (1997)
- “Mamba” (Worlds of Fun) 12" Hyper Coaster (1998)
- “Steel Eel” (Sea World of Texas) 12" Hyper Coaster (1999)

Action to be Taken:

Chance Morgan, Inc. requires all owner/operators of the above noted rides to inspect the chassis as described in this bulletin. The inspection must be completed immediately upon receipt of this bulletin. Thereafter, perform the inspection weekly if no indications are found.

All work must be performed by qualified personnel, capable of understanding the function of the parts and their proper installation. Use only those components authorized, specified or provided by Chance Morgan, Inc. All applicable OSHA safety standards and safe industry practices must be observed.

Observe all safety information contained in the manufacturer's manuals. Make available this bulletin and all related technical information to personnel using the equipment.

Chance Morgan, Inc. issues notifications for the benefit of owners of amusement rides designed or sold by Chance Morgan, Inc. As a service to the industry, and in the interest of employee and public safety, Chance Morgan, Inc. also issues notifications for the benefit of owners of amusement ride equipment for which the manufacturer no longer exists, such as D.H. Morgan Manufacturing Company, Inc. In doing so, Chance Morgan, Inc. does not assume liability for losses associated with amusement ride equipment designed or sold by companies other than Chance Morgan, Inc.



CHANCE MORGAN, INC.
 450 McQuaide Drive
 La Selva Beach, CA 95076 U.S.A.
 Phone: 1-831-724-8686
 FAX: 1-831-724-7882
 Website: www.chancemorgan.com
 E-mail: sales@chancemorgan.com

Bulletin No:	B750CM103-0
Release Date:	July 29, 2003
Effective Date:	July 29, 2003
Supersedes:	N/A
Completion Date:	August 29, 2003
Page:	2 of 3

Ride Manufacturer: D.H. MORGAN MFG. CO., INC. Affected Production Dates: See page 1

Ride Name: COASTER Affected Serial Nos.: See page 1

Model No.: See page 1

Detail of Issue

Inspection Procedure

Visually inspect every chassis with chain dog, paying particular attention to the areas indicated in the following illustrations.

NOTE: The illustrations show components removed for clarity. Use an inspection mirror as required to view all inspection areas.

Look for indications in the rectangular steel tube, and check the welded joint for indications in the weld and the parent metal in the area shown.

- If any indication is found, DO NOT OPERATE THE RIDE. Contact the Customer Service Department at Chance Morgan, Inc. for specific instructions on further action to be taken.

DO NOT ATTEMPT TO WELD OR OTHERWISE REPAIR THE CHASSIS EXCEPT AS SPECIFICALLY INSTRUCTED BY CHANCE MORGAN, INC.

After the specified repairs are completed, the chassis can be put back into service, however it must be inspected DAILY by visual inspection and MONTHLY using an appropriate NDT method.

- If no indications are found, operation of the ride can resume. Perform the chassis inspection procedure as described WEEKLY.



CHANCE MORGAN, INC.
450 McQuaide Drive
La Selva Beach, CA 95076 U.S.A.
Phone: 1-831-724-8686
FAX: 1-831-724-7882
Website: www.chancemorgan.com
E-mail: sales@chancemorgan.com

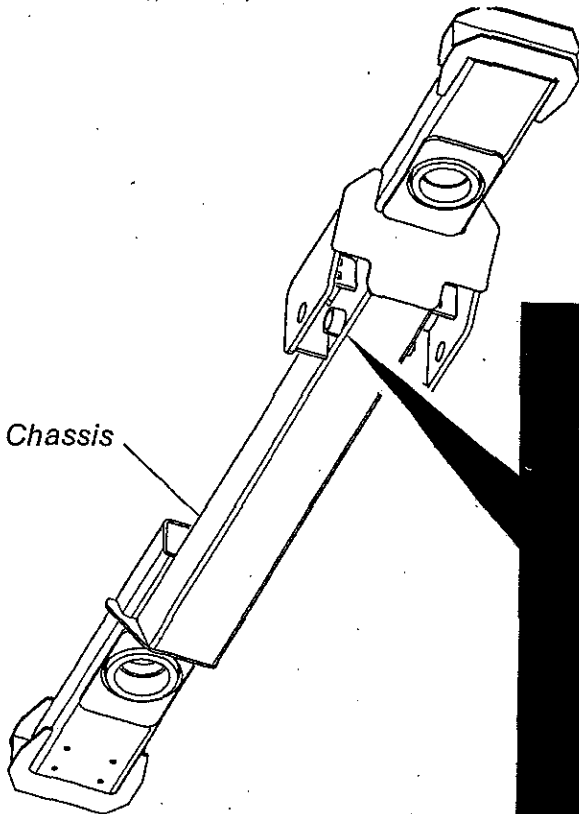
Bulletin No:	B750CM103-0
Release Date:	July 29, 2003
Effective Date:	July 29, 2003
Supersedes:	N/A
Completion Date	August 29, 2003
Page:	3 of 3

Ride Manufacturer: D.H. MORGAN MFG. CO., INC. Affected Production Dates: See page 1

Ride Name: COASTER Affected Serial Nos.: See page 1

Model No.: See page 1

Detail of Issue (continued):



Look for indications at the corners of the rectangular tube around the chain dog tube

