

AMUSEMENT INVESTMENT CORPORATION

# NEW HAMPTON RIDES

7330 WEBER LAKE ROAD  
PORTAGE DES SIOUX, MO 63373  
PHONE: (314) 753-2381 • (314) 899-0955  
FAX: (314) 753-2004

PRODUCT SAFETY UPDATE

#104-90

RE: TUBS OF FUN

TO WHOM IT MAY CONCERN:

IT IS ADVISED THAT ALL TUBS OF FUN RIDES MANUFACTURED BEFORE JANUARY 1, 1979 BE TESTED AT THE BASE OF THE MAIN SHAFT FOR FATIGUE DUE TO EXTENSIVE USE.

THE MAIN SHAFT IS LOCATED IN THE CENTER OF THE BASE MOUNT. THIS SHAFT WILL HAVE A 3" DIAMETER AND IS 21" TO 31" IN LENGTH DEPENDING ON THE DATE OF MANUFACTURING.

STRESS TESTING SHOULD BE DONE ANNUALLY. NDT AND ULTRASOUND TESTING IS STRONGLY RECOMMENDED.

IF REPLACEMENT BECOMES NECESSARY THIS PART IS AVAILABLE AT THE FACTORY. INSTALLATION INSTRUCTIONS INCLUDED.

AMUSEMENT INVESTMENT CORPORATION

DEA

# NEW HAMPTON RIDES

7330 WEBER LAKE ROAD

PORTAGE DES SIOUX, MO 63373

PHONE: (314) 753-2381 • (314) 899-0955

FAX: (314) 753-2004

## PRODUCT SAFETY UPDATE

#105-90

RE: TUBS OF FUN

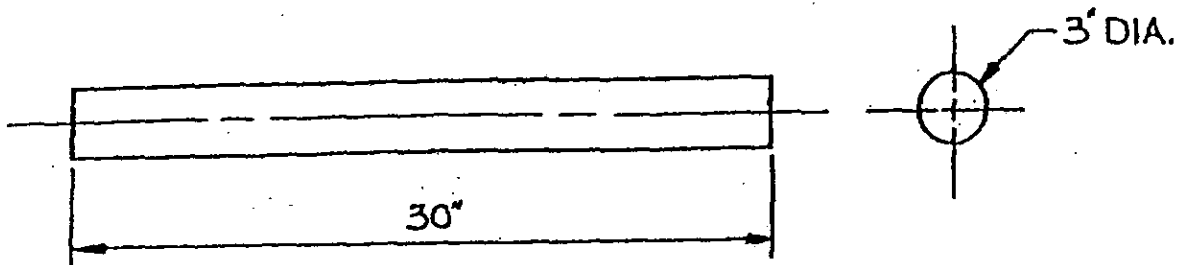
TO WHOM IT MAY CONCERN:

IT IS ADVISED THAT ALL TUBS OF FUN RIDES MANUFACTURED BEFORE JANUARY 1, 1979 BE TESTED AT THE BASE OF THE MAIN SHAFT OF THE VEHICLE FOR FATIGUE DUE TO EXTENSIVE USE.

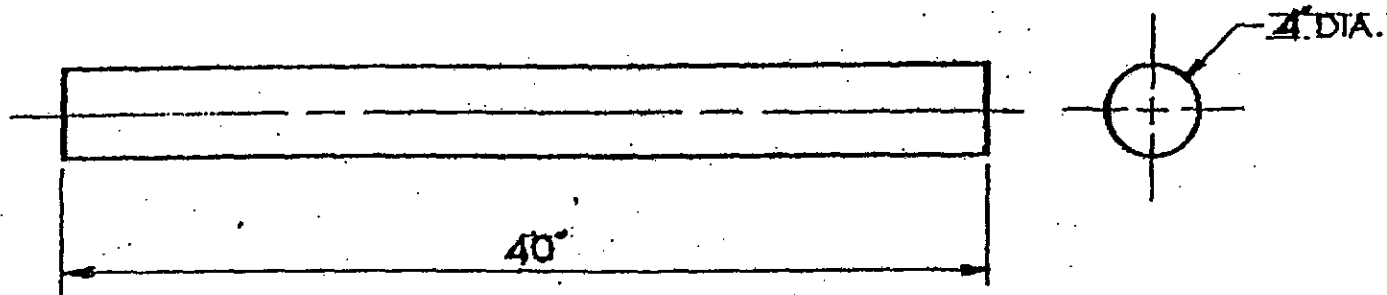
THE MAIN SHAFT IS LOCATED IN THE CENTER OF THE VEHICLE. THIS SHAFT WILL HAVE A 1 1/2" DIAMETER AND IS 31" IN LENGTH.

STRESS TESTING SHOULD BE DONE ANNUALLY. NDT AND ULTRASOUND TESTING IS STRONGLY RECOMMENDED.

IF REPLACEMENT BECOMES NECESSARY THIS PART IS AVAILABLE AT THE FACTORY. INSTALLATION INSTRUCTIONS INCLUDED.



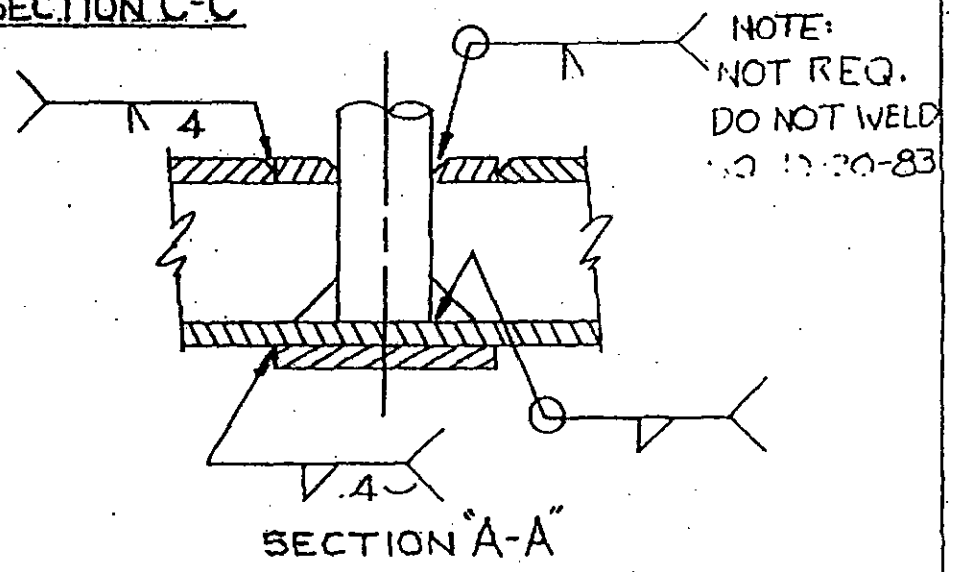
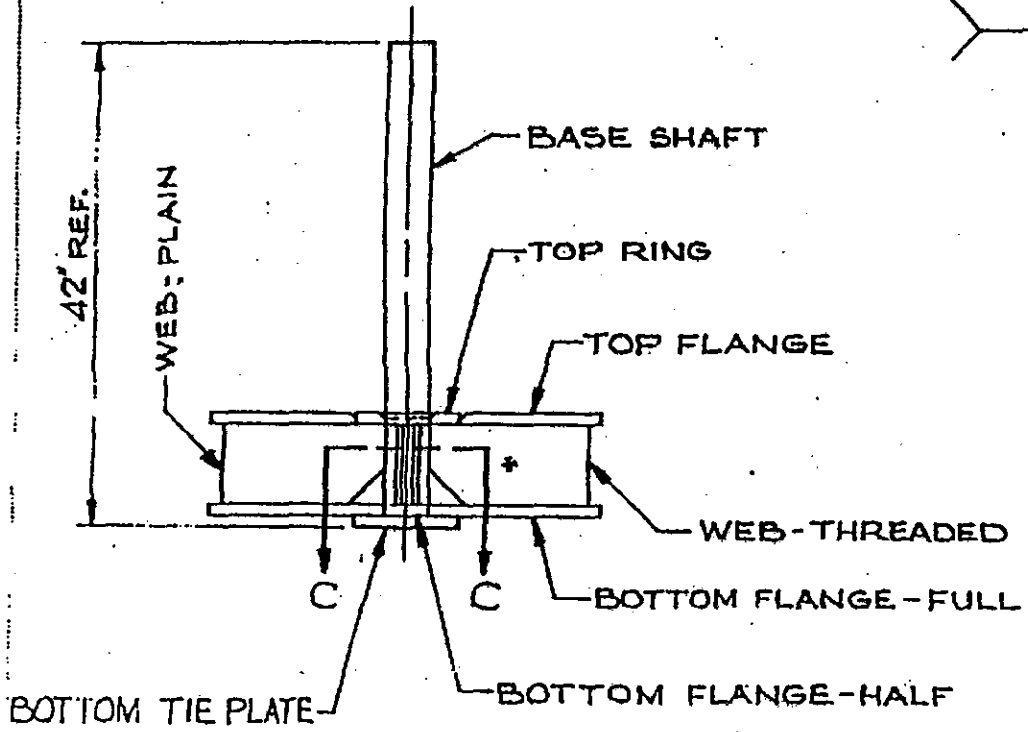
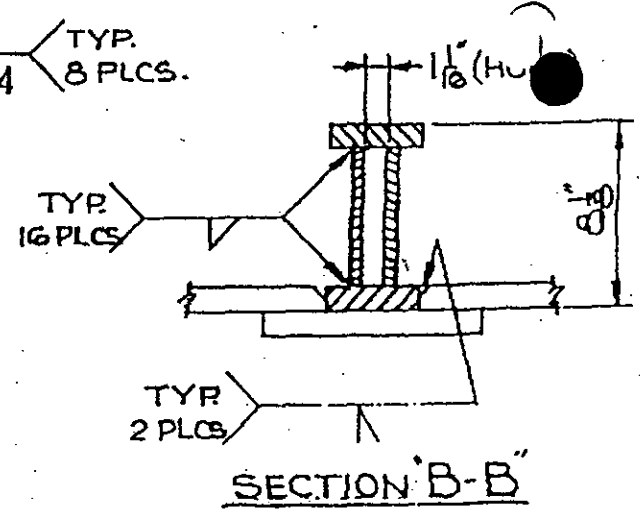
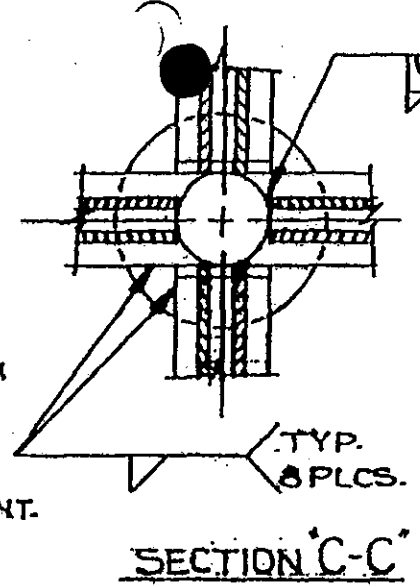
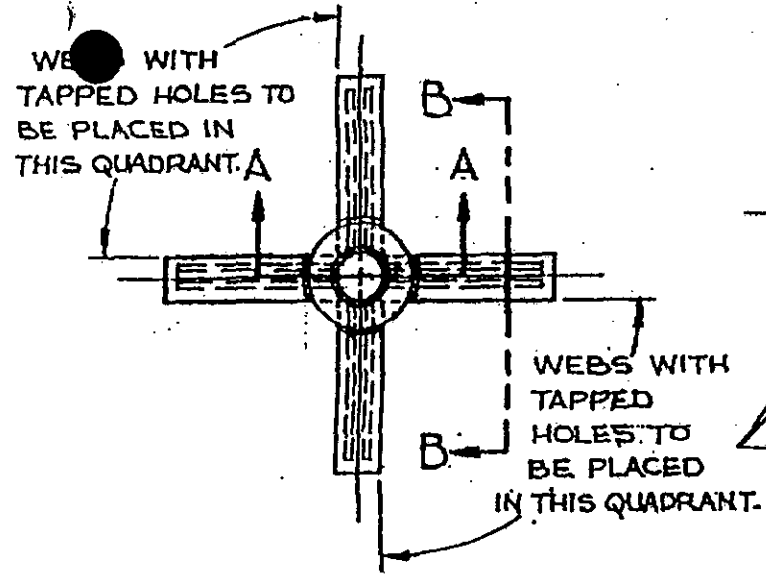
ORIGINAL BASE SHAFT  
 MAT'L.: H.R. ALLOY, 4140 MED. C. - ANL.  
 WT. 111.1#  
 NOT USED AFTER 7-1979



BASE SHAFT  
 MAT'L.: H.R. ALLOY, RYCUT 40 (4140) MED. C. - ANL.  
 WT. 142.42#

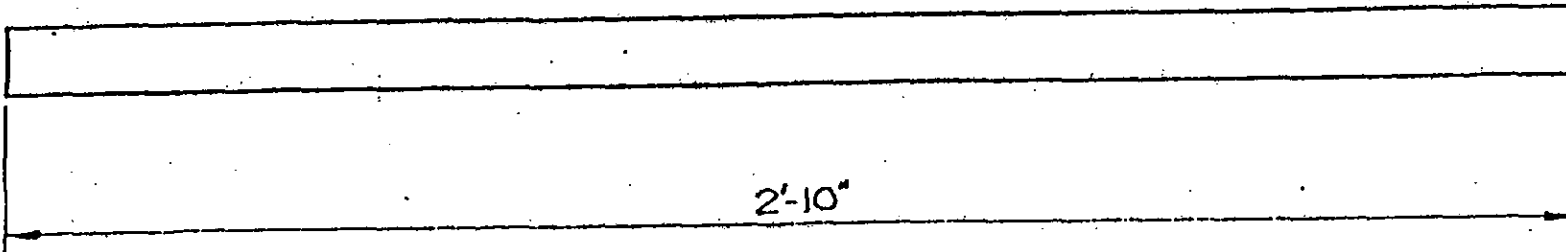
BREAK SHARP EDGES

E-J MANUFACTURING CO., INC. PORTAGE DES SIOUX, MISSOURI	
DETAIL - BASE SHAFT TUB BASE	
SCALE: $1\frac{1}{2}'' = 1'-0''$	TF-1-07
DATE 7-6-79	
DR. BY W.J.S.	DWG. NO.



WT. OF ASSY. 402.75#

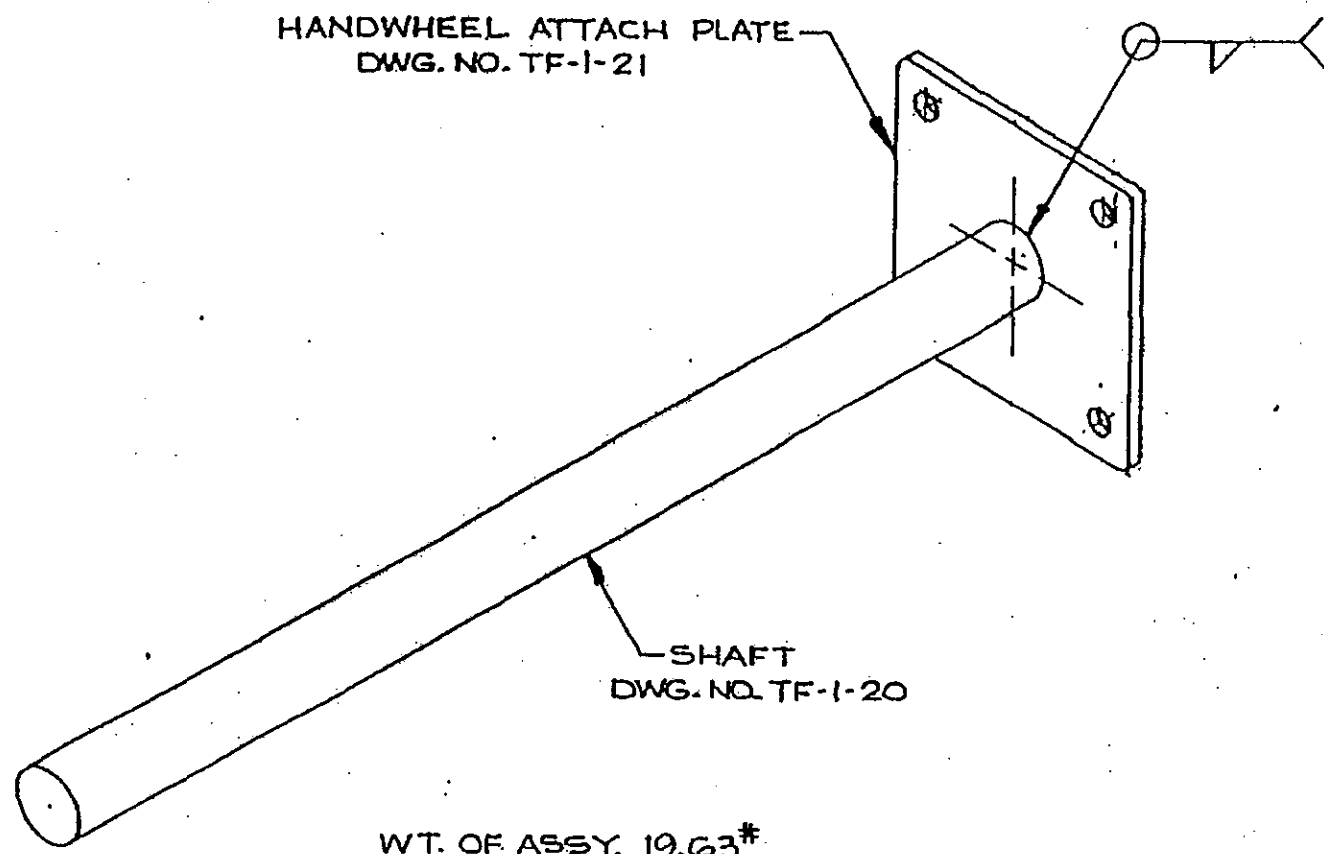
E-J MANUFACTURING CO., INC. PORTAGE DES SIOUX, MISSOURI	
ASSEMBLY-WELDMENT- TUB BASE	
SCALE: NONE	TF-1A-10 DWG. NO.
DATE 7-18-79	
DR. BY W.J.S.	



MAT'L:  $1\frac{1}{2}$ " DIA. RYCUT 40 (41L40) C.F. ALLOY - ANNEALED

1 PC. REQ'D.  
WT. 17.03#

E. J. MANUFACTURING CO., INC. PORTAGE DES SIOUX, MISSOURI	
DETAIL - SHAFT - TUB AGITATOR	
SCALE: 5" = 1'-0"	TF-1-20
DATE: 12-7-81	
DN. BY W.J.S.	
DWG. NO.	



HANDWHEEL ATTACH PLATE  
DWG. NO. TF-1-21

SHAFT  
DWG. NO. TF-1-20

WT. OF ASSY. 19.63\*

E.J. MANUFACTURING CO., INC. PORTAGE DES SIOUX, MISSOURI	
ASSEMBLY - WELDMENT - ATTACH PLATE & SHAFT - TUB AGITATOR	
SCALE: NONE	TF-1A-22 DWG. NO.
DATE: 12-30-81	
DN. BY WJS	



RECEIVED

APR 18 1991

DEPARTMENT OF LABOR  
CARNIVAL & AMUSEMENT RIDE  
INSPECTION DIVISION

NEW HAMPTON RIDES  
7330 WEBER LAKE ROAD  
PORTAGE DES SIOUX, MO. 63373  
Service: 314-753-2381  
314-899-0955  
Sales: 800-767-0171  
Fax: 314-753-2004

MANDATORY PRODUCT SAFETY UPDATE  
#104-90 & #105-90- ADDENDUM  
RE: TUBS OF FUN

TO WHOM IT MAY CONCERN:

THIS IS AN ADDENDUM TO SAFETY UPDATES #104-90 & #105-90. IN THE PREVIOUS UPDATES, IT WAS STATED THAT STRESS TESTING SHOULD BE DONE ANNUALLY. HOWEVER, NDT/ULTRASOUND TESTING IS RECOMMENDED AND REQUIRED. STRESS TESTING, IN THIS SITUATION IS DEFINED AS NON DESTRUCTIVE TESTING.