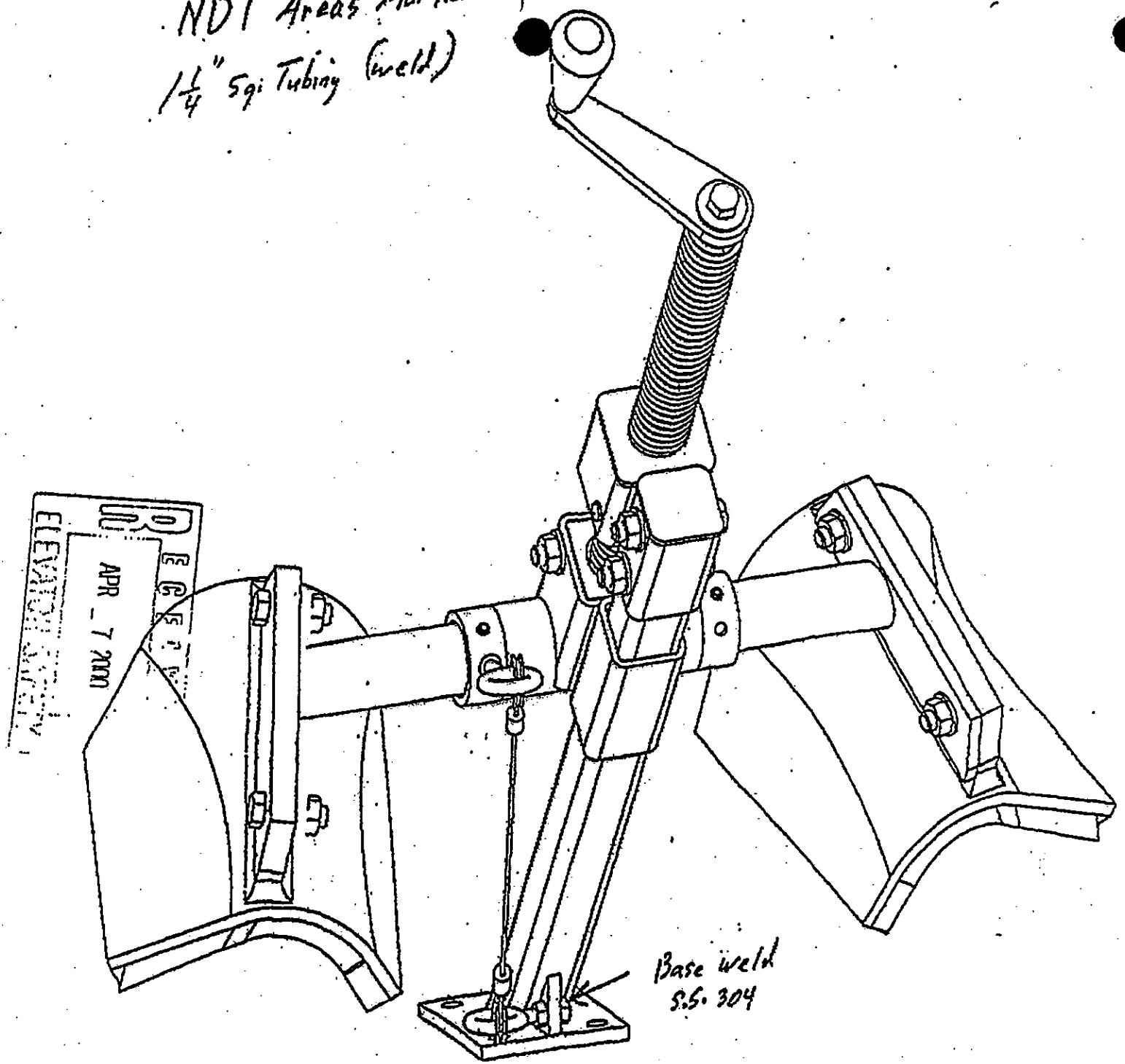
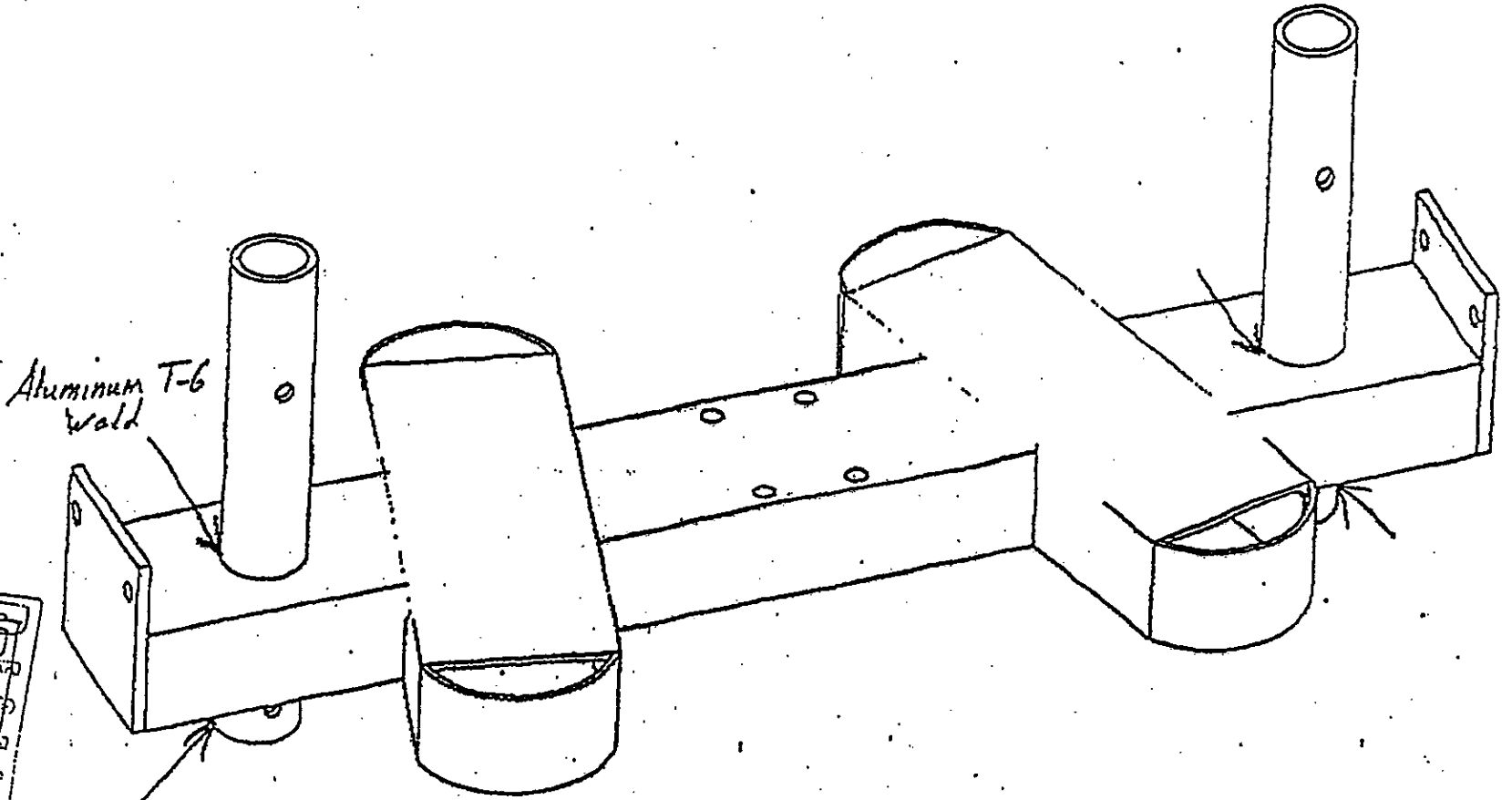


NDT Areas Marked  
1/4" Sq Tubing (weld)

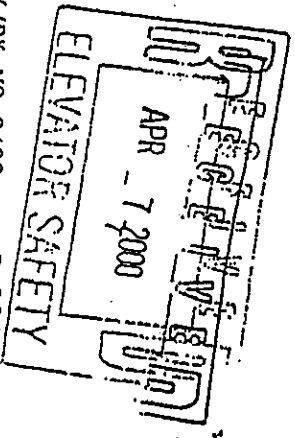


Base weld  
S.S. 304

1 3/4 Tubing (weld)



Aluminum T-6  
weld



04/06/00 13:57

TX/RX NO.6432

P.004

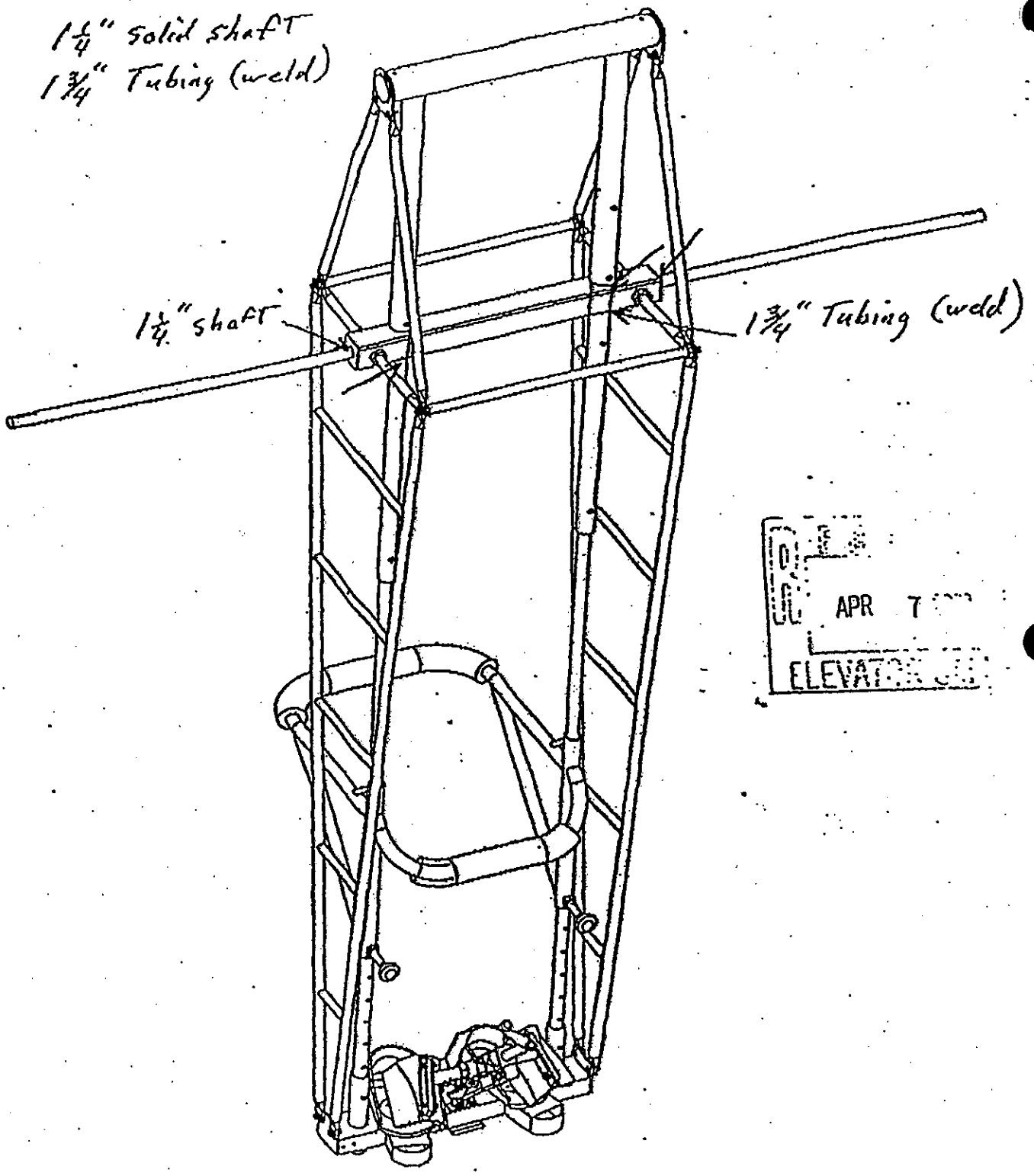
02:03 PM

HANG TIME INC

SG15120034

P.04

NDT Areas Marked  
1 1/4" Solid shaft  
1 3/4" Tubing (weld)



APR 7 2000  
ELEVATOR

030821  
03102



HANG TIME INC. TM

April 6, 2000

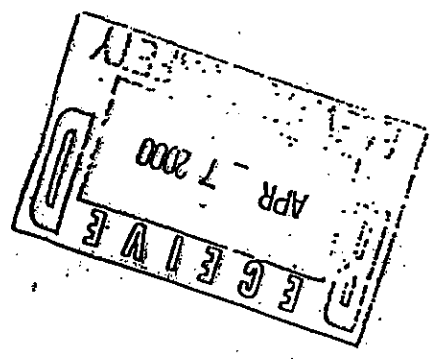
Venice Amusement Corp.

Dear Bill,

The following four pages of drawings, represent the areas to be tested by Magnetic Particle procedure.

Sincerely,

*Robert Murray*  
Robert Murray  
President



P.O. Box 30702 ~ Palm Beach Gardens FL 33420 ~ USA  
Tel. 561 674-7371 ~ Fax. 561 674-7370 ~ Email. MHANGTIME@AOL.COM