

Majestic

Majestic Manufacturing, Inc. • P.O. Box 128
4536 State Route 7 • New Waterford, Ohio 44445

SUBJECT: MAJESTIC FLOOR PICK UP RIDE, FLOOR MAINTENANCE

ATTN: OWNER/OPERATOR,

This Bulletin pertains to operation of your Majestic unit. This Service Bulletin *must* remain with owner's manual. If you have any questions regarding this Bulletin, contact our office at (330) 457-2447, M-F 8:00 a.m.-4:30 p.m. E.S.T. • Fax 457-7490

SERVICE BULLETIN

Date: April 7, 1992

S.B. Number: 92-7

Notice:

Majestic customers are being notified by this service bulletin of the proper floor care of their floor pick up model rides.

Majestic recommends cleaning the floor monthly with a floor scrubber using a scrubbing pad for best results. This will loosen dirt and grime due to the pick up ball arcing and wheel wear during operation. After using scrubbing pad, vacuum thoroughly and finish cleaning with a damp mop.

The above cleaning procedure will pro-long the life of your ride, lower maintenance, and provide an attractive ride appearance.

Recommended equipment: Rent or purchase from a local supplier, 17" or 20" floor buffing machine, max RPM 175 with course grit scrubbing pad.

This service bulletin must remain with owner's manual at all times.

If you have any questions on factory standards or procedures on our equipment contact Majestic Manufacturing, Inc. during business hours 8:00am to 4:30pm Monday through Friday Eastern Standard Time at 330-457-2447.

SUBJECT: RECTIFIER POWER SETTINGS

ATTN: OWNER/OPERATOR,

This Bulletin pertains to operation of your Majestic unit. This Service Bulletin *must* remain with owner's manual. If you have any questions regarding this Bulletin, contact our office at (330) 457-2447, M-F 8:00 a.m.-4:30 p.m. E.S.T. • Fax 457-7490

SERVICE BULLETIN

Date: September 16, 1993

S.B. Number: 93-1

Notice:

FLOOR PICK-UP UNITS

Majestic Manufacturing is advising all owners of Majestic D.C. Power Supply Rectifiers to monitor the following:

All rectifiers should be monitored as not to exceed 36 volts D.C. during normal operation.

We advise that the voltage be monitored not to exceed 36 volts D.C. at any time. Failure to operate the rectifier at factory specification can result in excessive speed of bumper cars, and the possibility of risk of injury to the driver or passenger of the bumper car.

This service bulletin must remain with owner's manual at all times.

If you have any questions on factory standards or procedures on our equipment contact Majestic Manufacturing, Inc. during business hours 8:00am to 4:30pm Monday through Friday Eastern Standard Time at 330-457-2447.

Majestic

Majestic Manufacturing, Inc. • P.O. Box 128
State Route 7 • New Waterford, Ohio 44445

NON DESTRUCTIVE TESTING

N. D. T. SERVICE MANUAL

89-111

APPLICABLE ONLY TO MAJESTIC SCOOTER BUILDINGS

EFFECTIVE 8-1-94

For More Information Regarding Service or Information
Call 8:00 a.m. - 4:30 p.m. • Monday - Friday E.S.T.
(216) 457-2447 • (216) 457-7280
Facsimile (216) 457-7490



Dedicated to Safety in the Amusement Industry

NON DESTRUCTIVE TESTING

SUPPLEMENT TO:
N.D.T. SERVICE MANUAL

This manual is to serve as a guide for inspection of equipment manufactured by Majestic. It should be noted that only items marked LIII must be performed by a level III technician.

In regards to Visual examination of Majestic Scooters, it is recommended that the individual performing the inspection be qualified or have basic knowledge in the areas of the following visual inspections:

Structural steel and aluminum and their weldments.

Electrical A C & D C currents along with a general knowledge of the equipment through study of the manual and direct contact with the factory. Persons not familiar with the ride should contact the factory.

For More Information Regarding Service or Information
Call 8:00 a.m. - 4:30 p.m. • Monday - Friday E.S.T.
(216) 457-2447 • (216) 457-7280
Facsimile (216) 457-7490



Dedicated to Safety in the Amusement Industry

NON DESTRUCTIVE TESTING

N.D.T. SERVICE MANUAL

89-111
APPLICABLE ONLY TO MAJESTIC SCOOTER BUILDINGS
EFFECTIVE 8-1-94

THE PURPOSE OF THIS MANUAL IS TO CONFORM TO STATE REQUIRED N.D.T. INSPECTIONS, AND TO DEVELOP A HIGHER DEGREE OF KNOWLEDGE OF MAJESTIC SCOOTER BUILDINGS TM-1400 / TM-1800 / TM-2700.

(TWO MAJOR FORMS OF N.D.T. IN THIS MANUAL ARE:)

- I. Visual
- II. Dye Penetrant

NOTE: ONLY ITEMS MARKED LIII require NDT

11 MAIN INSPECTION AREAS ARE:

- SECTION 1. ELECTRICAL
- SECTION 2. TRAILER
- SECTION 3. BLOCKING OF UNIT
- SECTION 4. PURLINGS, RAMPS, AND DECK
- SECTION 5. BUMPER CARS
- SECTION 6. FENCE
- SECTION 7. POST
- SECTION 8. RAFTERS AND CATWALKS
- SECTION 9. SCREENS
- SECTION 10. SCENERY
- SECTION 11. CANVAS

For More Information Regarding Service or Information
Call 8:00 a.m. - 4:30 p.m. • Monday - Friday E.S.T.
(216) 457-2447 • (216) 457-7280
Facsimile (216) 457-7490



Dedicated to Safety in the Amusement Industry

NON DESTRUCTIVE TESTING

SECTION 11

CANVAS

CANVAS

INSPECTION

1. VISUAL
2. VISUAL
3. VISUAL
4. VISUAL

CHECK FOR

TORN CANVAS

ALL QUARTER AND CENTER POLES ARE IN
PLACE AND SECURED TO RAFTERS

CANVAS CABLES SECURED TO RAFTERS

CANVAS SNAPS SECURED TO CATWALK RODS

For More Information Regarding Service or Information
Call 8:00 a.m. - 4:30 p.m. • Monday - Friday E.S.T.
(216) 457-2447 • (216) 457-7280
Facsimile (216) 457-7490



Dedicated to Safety in the Amusement Industry

NON DESTRUCTIVE TESTING

SECTION 10

SCENERY PANELS

SCENERY

<u>INSPECTION SITE</u>	<u>CHECK FOR</u>	<u>DISCRETION OF INSPECTION</u>
A. SCENERY PINS	BROKEN WELDS	REC: DYE PENETRANT ANNUALLY VISUAL
B. PIANO HINGES	BROKEN HINGES AND POP BIVETS IN PLACE	SECURE VISUAL
C. SHOCLS	BARE OR BROKEN WIRES	SECURE VISUAL
D. WIRING	WIRED CORRECTLY AND SECURE	SECURE VISUAL
E. PLUGS		

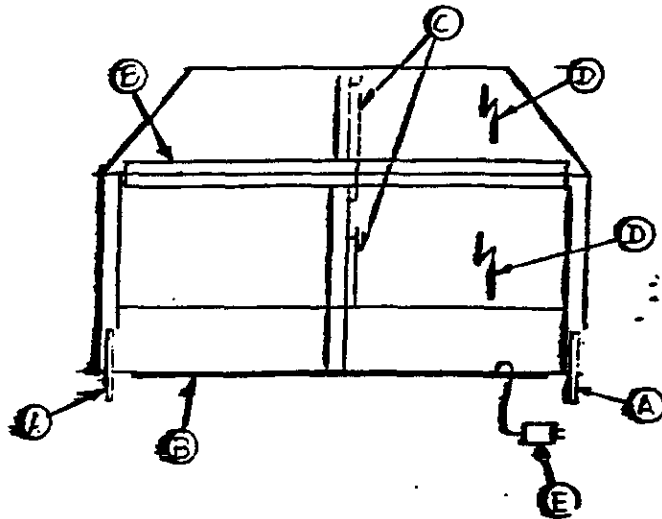


FIG. 10

For More Information Regarding Service or Information
Call 8:00 a.m. - 4:30 p.m. • Monday - Friday E.S.T.
(216) 457-2447 • (216) 457-7280
Facsimile (216) 457-7490



Dedicated to Safety in the Amusement Industry

NON DESTRUCTIVE TESTING

SECTION 9

FOLDING CEILING PANEL'S

PANELS

<u>INSPECTION SITE</u>	<u>CHECK FOR</u>	
A. MAIN PANEL HINGE ATTACHMENT	BROKEN HINGE OR FASTENERS	VISUAL
B. SECONDARY PANEL HINGE ATTACHMENTS	BROKEN HINGE OR FASTENERS	VISUAL
C. GUIDE SUPPORT ROLLERS	SECURE AND FUNCTIONAL	VISUAL
D. CEILING PANELS	SECURELY ATTACHED, NO GAPING HOLES	VISUAL
E. CEILING	EXCESSIVE BUILD UP AND PITTING	VISUAL

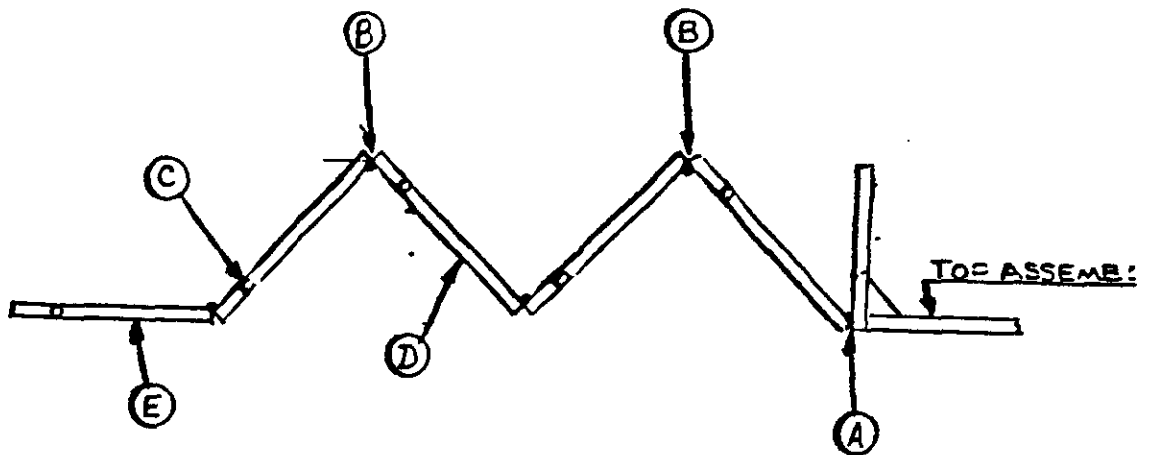


FIG. 9

For More Information Regarding Service or Information
Call 8:00 a.m. - 4:30 p.m. • Monday - Friday E.S.T.
(216) 457-2447 • (216) 457-7280
Facsimile (216) 457-7490



Dedicated to Safety in the Amusement Industry

NON DESTRUCTIVE TESTING

SECTION 8

TM-2700 RAFTER'S AND CATWALKS

<u>INSPECTION SITE</u>	<u>CHECK FOR</u>	
A. SUPPORT BRACES	MISSING SUPPORT ARM	Visual
B. DOVE TAILS	BROKEN WELDS	Rec: Discretion of Inspector Dye Penetrant Annually
C. FOLDING HINGES	BROKEN HINGES, POPRIVETS	Visual
D. CANVAS ROD	BENT OR MISSING ROD	Visual

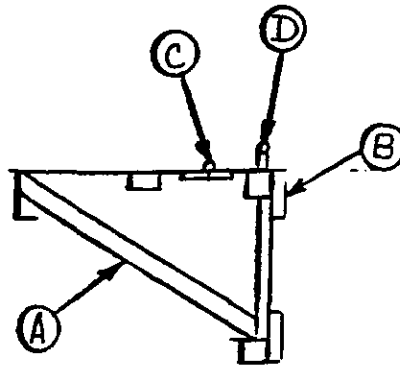


FIG. 8A

For More Information Regarding Service or Information
Call 8:00 a.m. - 4:30 p.m. • Monday - Friday E.S.T.
(216) 457-2447 • (216) 457-7280
Facsimile (216) 457-7490



Dedicated to Safety in the Amusement Industry

NON DESTRUCTIVE TESTING

SECTION 8

RAFTER'S, RAFTER EXTENSIONS TM-1400 AND TM-1800

<u>INSPECTION SITE</u>	<u>CHECK FOR</u>	
A. MAIN INSULATOR CAP WELDMENT TO TOP	BROKEN WELDS LIII	DISCRETION OF INSPECTOR REC:DYE PENETRANT ANNUALLY
B. RAFTER EXTENSION ARMS	BROKEN WELDS,PINS LIII	DISCRETION OF INSPECTOR REC:DYE PENETRANT ANNUALLY
C. RAFTER AND WELDMENT	BROKEN WELDS	DISCRETION OF INSPECTOR REC:DYE PENETRANT ANNUALLY
D. TOP STRUCTURE BOTTOM TUBES	BROKEN WELDS	VISUAL
E. RAFTER	EXCESSIVE ABUSE, BENT	VISUAL

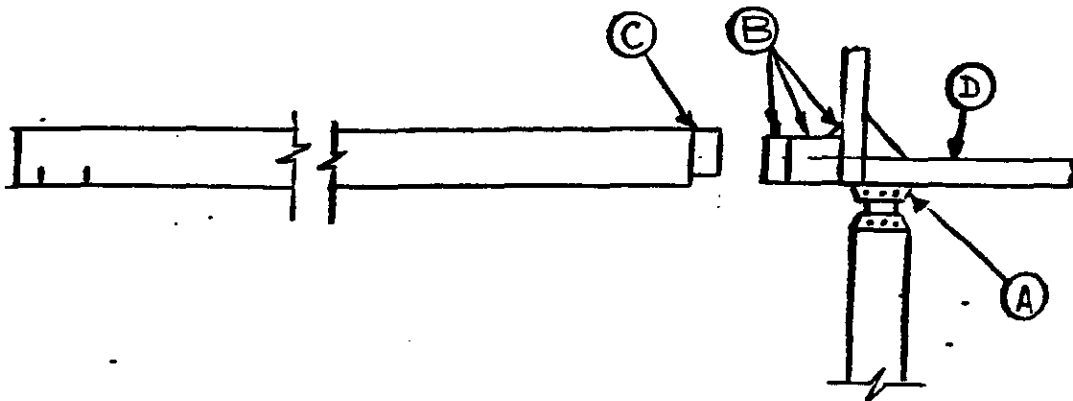


FIG. 8

For More Information Regarding Service or Information
Call 8:00 a.m. - 4:30 p.m. • Monday - Friday E.S.T.
(216) 457-2447 • (216) 457-7280
Facsimile (216) 457-7490



Dedicated to Safety In the Amusement Industry

NON DESTRUCTIVE TESTING

SECTION 7

POST

TM-1800 EURO 6" X 9" ALUMINUM AND TM-2700

EURO 6" X 9" ALUMINUM POST

<u>INSPECTION SITE</u>	<u>CHECK FOR</u>	
A. NYLON INSULATOR	BOLTS SECURE	VISUAL
B. POST CAP	BROKEN WELDS	VISUAL
C. ALUMINUM FRAME-WORK	BROKEN WELDS	VISUAL
D. POST FENCE SOCKETS	BROKEN WELDS	VISUAL
E. LIGHT BRACKET	PROPER WIRING	VISUAL
F. BOTTOM POST SOCKETS	BROKEN WELDS	VISUAL
G. POST	MISSING POST, POST SUBSTITUTION	VISUAL

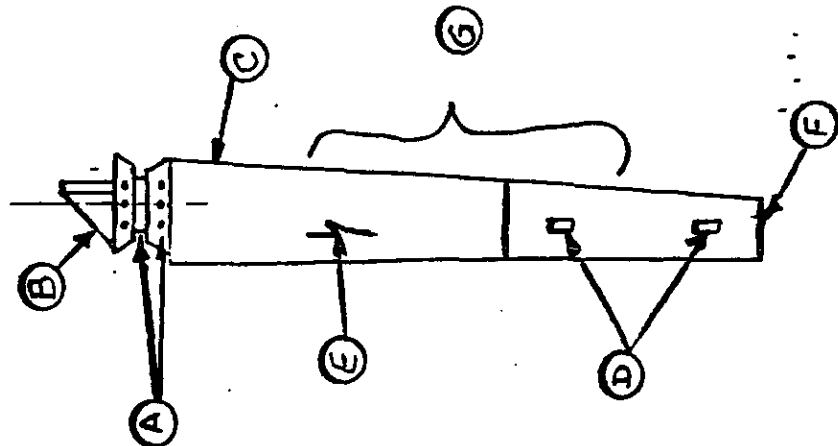


FIG. 7

For More Information Regarding Service or Information
Call 8:00 a.m. - 4:30 p.m. • Monday - Friday E.S.T.
(216) 457-2447 • (216) 457-7280
Facsimile (216) 457-7490



Dedicated to Safety in the Amusement Industry

NON DESTRUCTIVE TESTING

SECTION 7

POST

STANDARD 3" ALUMINUM
(TM-1400 AND TM-1800)

STANDARD 3" POST

<u>INSPECTION SITE</u>	<u>CHECK FOR</u>	
A. WOOD INSULATOR	SECURE & TIGHTNESS, SUFFICIENT CLEARANCE BETWEEN ALUMINUM	VISUAL
B. POST CAP	BROKEN WELDS, SECURE PINS	VISUAL
C. POST FENCE SOCKETS	BROKEN WELDS	VISUAL
D. POST LIGHT BRACKET	SECURE AND PROPER WIRING	VISUAL
E. POST	MISSING POST, POST SUBSTITUTION	VISUAL

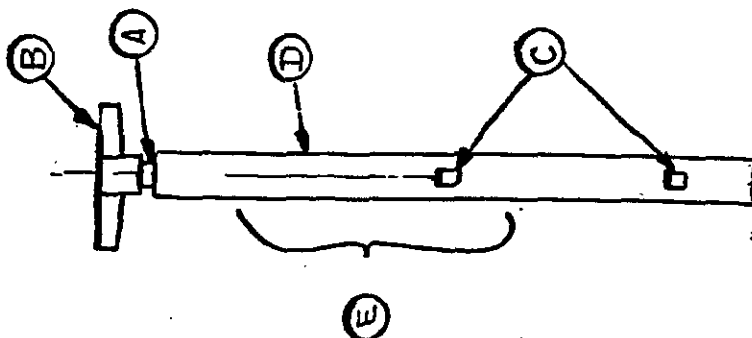


FIG. 6

For More Information Regarding Service or Information
Call 8:00 a.m. - 4:30 p.m. • Monday - Friday E.S.T.
(216) 457-2447 • (216) 457-7280
Facsimile (216) 457-7490



Dedicated to Safety In the Amusement Industry

NON DESTRUCTIVE TESTING

SECTION 6

FENCE

<u>INSPECTION SITE</u>	<u>CHECK FOR</u>	
A. FENCE ENDS	BROKEN WELDS	VISUAL
B. FENCE TUBE	BENT OR BROKEN	VISUAL
C. EXPANDED METAL PROTECTION IF APPLICABLE	PROPERLY SECURED TO FENCE	VISUAL
D. FENCE	MISSING SECTIONS	VISUAL

CHECK A THROUGH D BI-ANNUALLY.

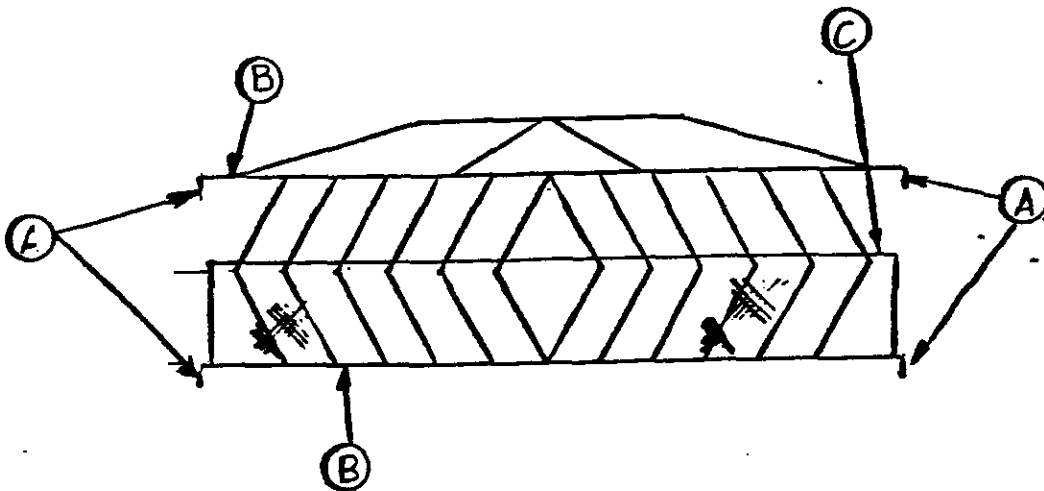


FIG. 5

For More Information Regarding Service or Information
Call 8:00 a.m. - 4:30 p.m. • Monday - Friday E.S.T.
(216) 457-2447 • (216) 457-7280
Facsimile (216) 457-7490



Dedicated to Safety in the Amusement Industry

NON DESTRUCTIVE TESTING

SECTION 5

MAJESTIC BUMPER CARS

CARS

<u>INSPECTION SITE</u>	<u>CHECK FOR</u>	
A. BUMPER TIRE	PROPER AIR PRESSURE 13 PSI	VISUAL
B. STEERING WHEEL	SECURE AND FUNCTIONAL	VISUAL
C. STEERING WHEEL PAD	SECURE AND FUNCTIONAL	VISUAL
D. SEATBELT OR LAP BAR	FUNCTIONAL	VISUAL
E. POLE PAD	IN PLACE	VISUAL
F. SEATS	ADEQUATE PADDING	VISUAL
G. TRIM	NO SHARP EDGES	VISUAL
H. WHEELS	PROPER CLEARANCE	VISUAL
I. TROLLEY WHEEL	TROLLEY WHEEL SECURE TO TROLLEY BRACKET	VISUAL

CHECK A THROUGH I MONTHLY.

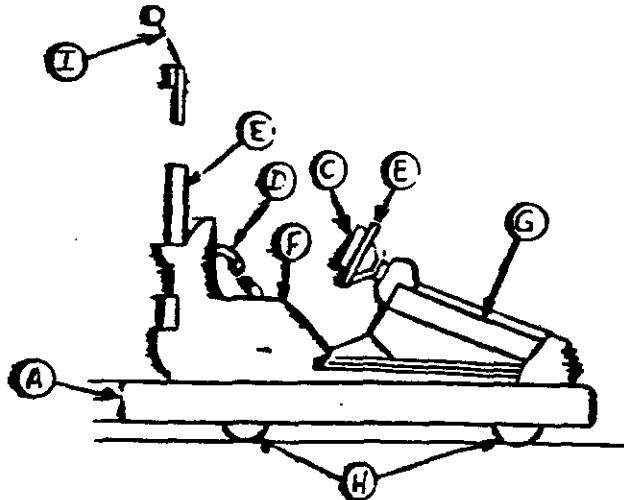


FIG. 4

For More Information Regarding Service or Information
Call 8:00 a.m. - 4:30 p.m. • Monday - Friday E.S.T.
(216) 457-2447 • (216) 457-7280
Facsimile (216) 457-7490



Dedicated to Safety In the Amusement Industry

NON DESTRUCTIVE TESTING

SECTION 4

SCOOTER SERIES

PURLINGS : DECK : RAMPS

RAMPS

<u>INSPECTION SITE</u>	<u>CHECK FOR</u>	
A. FENCE RAMP SOCKETS	CRACKED OR BROKEN WELDS	VISUAL
B. RAMP SURFACE	ANTI SKID MATERIAL, PRESENT	VISUAL
C. PIPE ATTACHMENT	WORN PIPE, BROKEN WELDS	VISUAL
D. PIN ATTACHMENT	FUNCTIONAL	VISUAL
E. STABILITY OF RAMPS	PROPER PLACEMENT OF BLOCKING	VISUAL

CHECK A, C, D, E, MONTHLY. CHECK B WEEKLY.

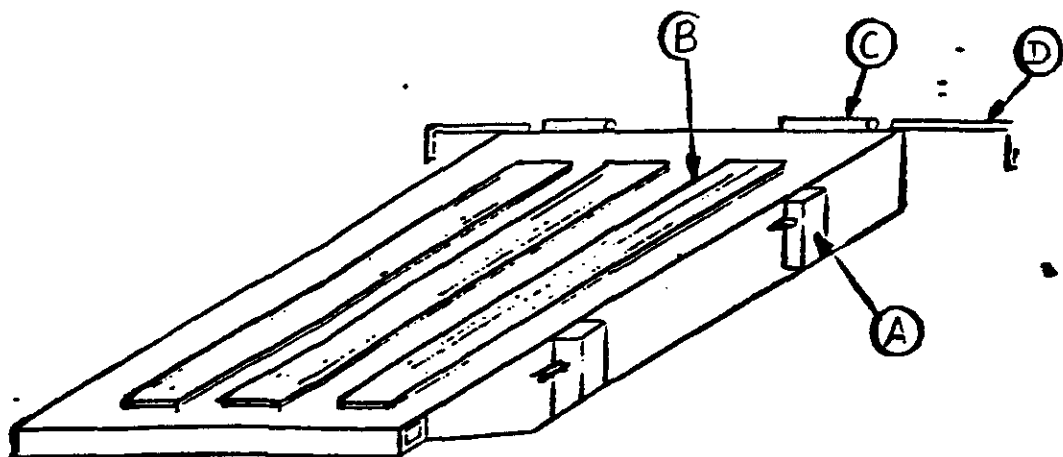


FIG. 3

For More Information Regarding Service or Information
Call 8:00 a.m. - 4:30 p.m. • Monday - Friday E.S.T.
(216) 457-2447 • (216) 457-7280
Facsimile (216) 457-7490

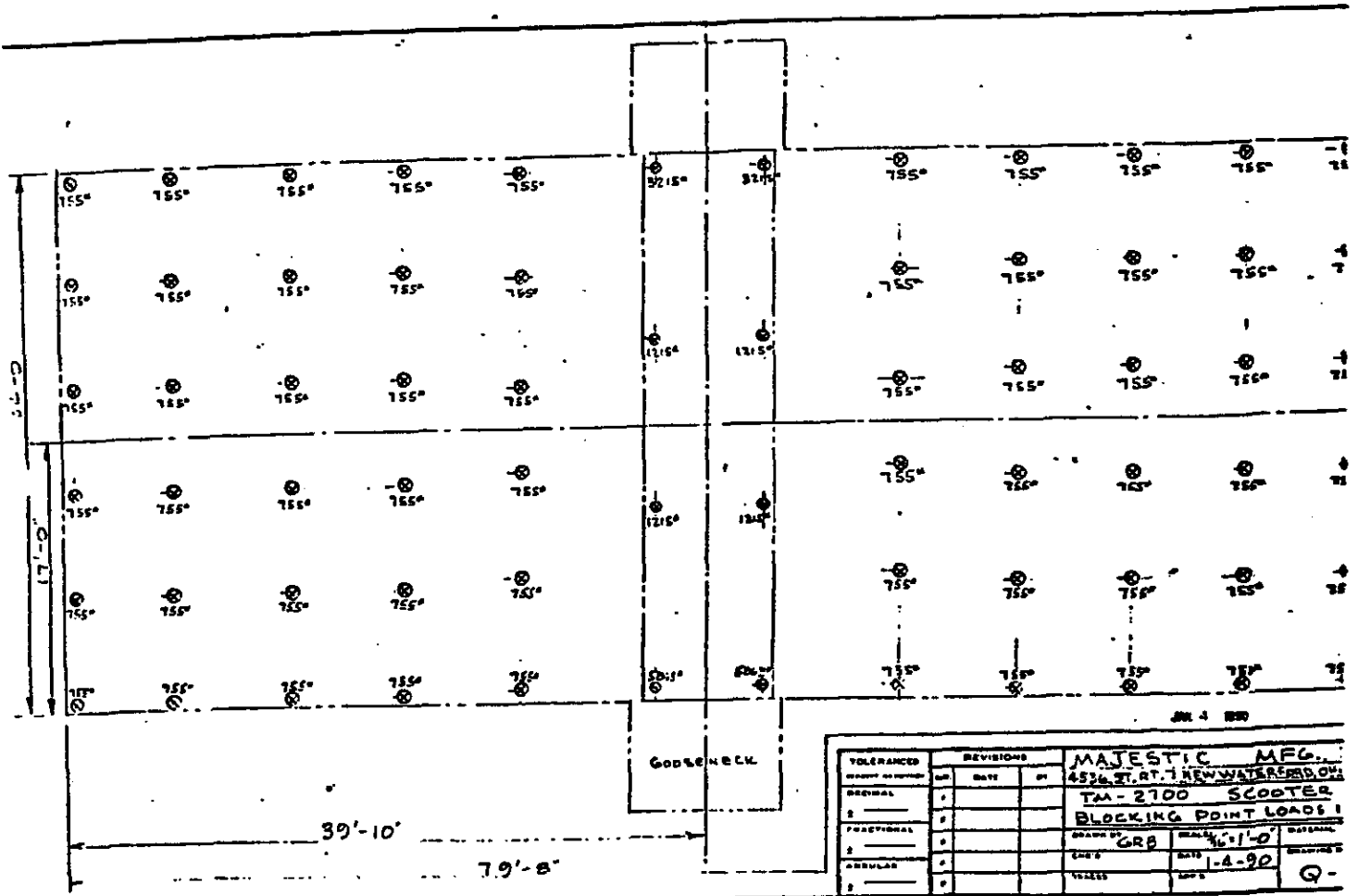


Dedicated to Safety in the Amusement Industry

Majestic

Majestic Manufacturing, Inc. • P.O. Box 128
State Route 7 • New Waterford, Ohio 44442

NON DESTRUCTIVE TESTING

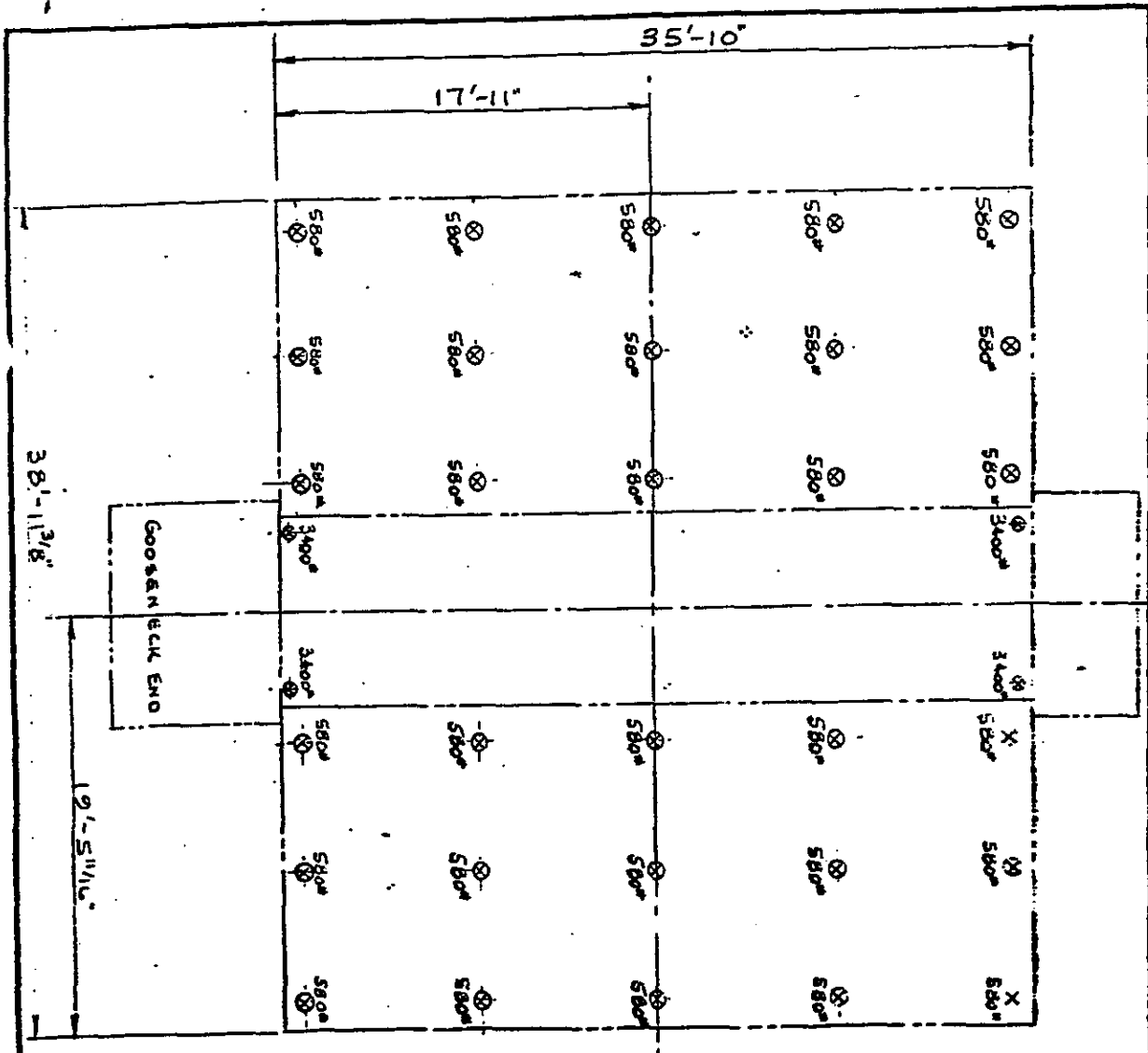


For More Information Regarding Service or Information
Call 8:00 a.m. - 4:30 p.m. • Monday - Friday E.S.T.
(216) 457-2447 • (216) 457-7280
Facsimile (216) 457-7490



Dedicated to Safety in the Amusement Industry

NON DESTRUCTIVE TESTING



ISSUED AS ORDER	NO.	DATE	BY
1			
2			
3			
4			
5			
6			
7			
8			
9			
10			

MAGJESTIC MFG. CO. INC.	
4516 STREET NEW WATERFORD, OHIO 44445	
TM-1400 SCOOTER	
BLOCKING POINT LOOPS IN LBS.	
DRAWN BY	MATERIAL
DATE	DATE
SCALE	SCALE
TRACER	APP'D
	Q-291

For More Information Regarding Service or Information
Call 8:00 a.m. - 4:30 p.m. • Monday - Friday E.S.T.
(216) 457-2447 • (216) 457-7280
Facsimile (216) 457-7490

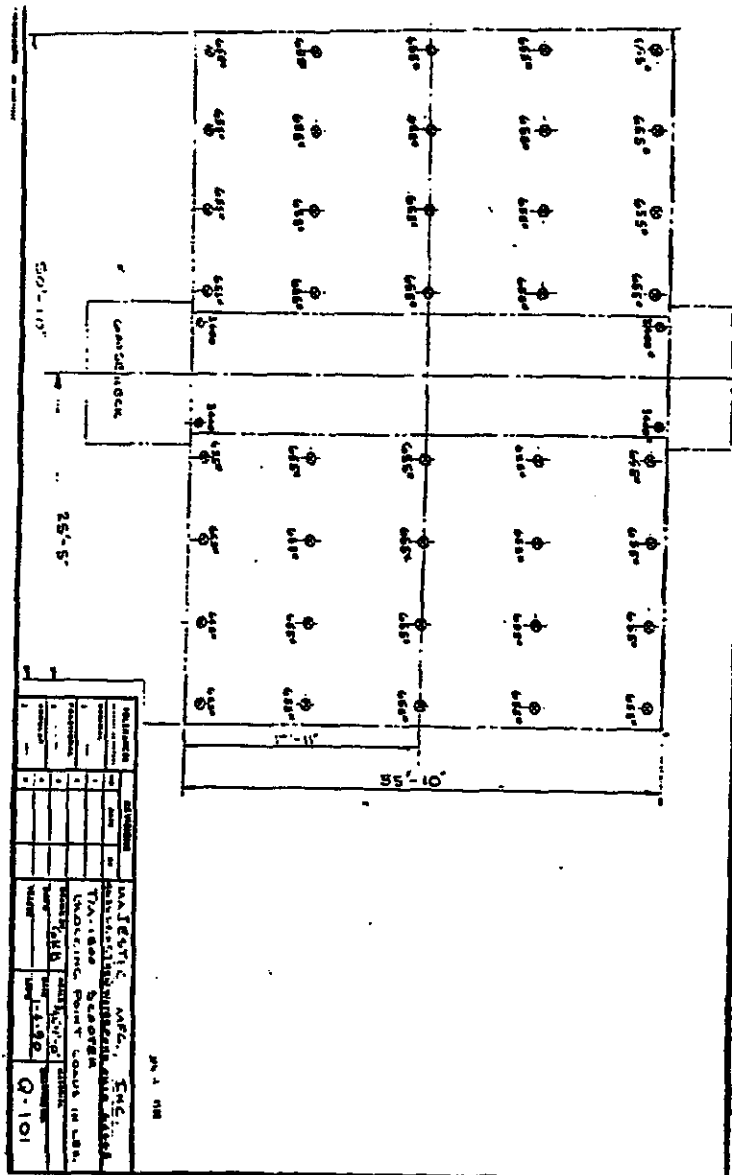


Dedicated to Safety In the Amusement Industry

Majestic

Majestic Manufacturing, Inc. • P.O. Box 12
State Route 7 • New Waterford, Ohio 4444

NON DESTRUCTIVE TESTING

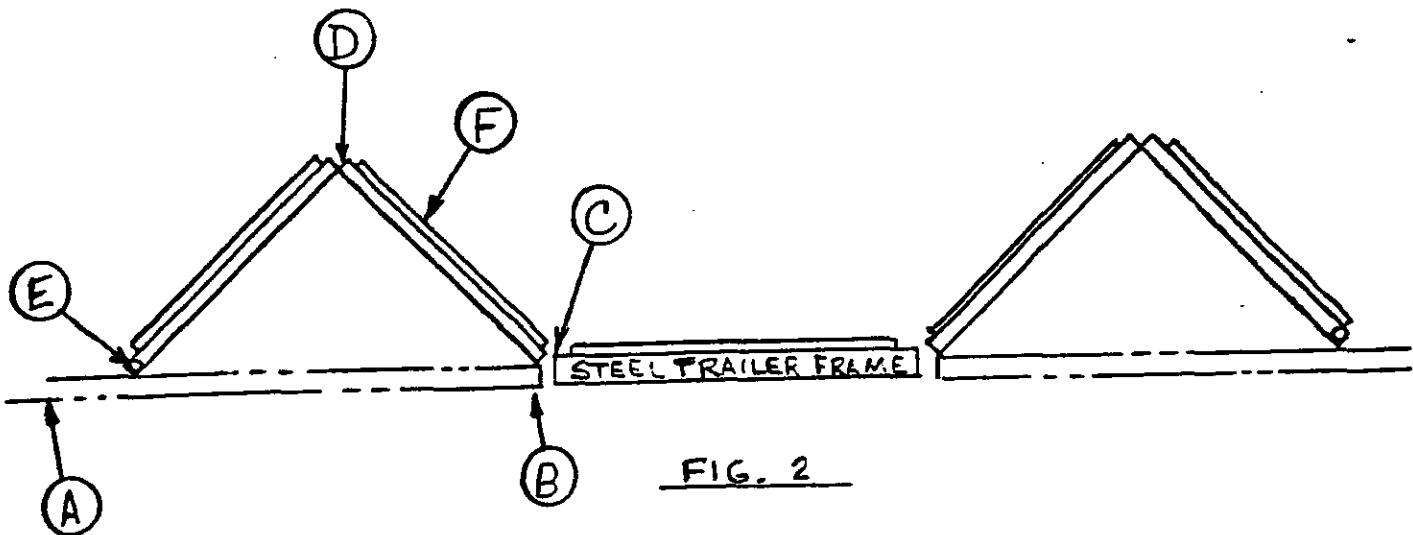


For More Information Regarding Service or Information
Call 8:00 a.m. - 4:30 p.m. • Monday - Friday E.S.T.
(216) 457-2447 • (216) 457-7280
Facsimile (216) 457-7490



Dedicated to Safety in the Amusement Industry

NON DESTRUCTIVE TESTING



For More Information Regarding Service or Information
Call 8:00 a.m. - 4:30 p.m. • Monday - Friday E.S.T.
(216) 457-2447 • (216) 457-7280
Facsimile (216) 457-7490



Dedicated to Safety in the Amusement Industry

NON DESTRUCTIVE TESTING

SECTION 4

SCOOTER SERIES

PURLINGS : DECK : RAMPS

PURLINGS

<u>INSPECTION SITE</u>	<u>CHECK FOR</u>	
A. TM-1400; TM-1800	5 LONG PURLINGS PER SIDE	Visual
A. TM-2700	6 LONG PURLINGS PER SIDE	Visual
B. ATTACHMENT TO TRAILER (TM-1400 & TM-1800)	EXCESSIVE WEAR ON HOLES & PINS	Visual
B. ATTACHMENT TO DECK (TM-2700)	EXCESSIVE DOVETAIL WEAR AND DOVETAIL BROKEN WELDS	Visual Rec: Dye Penetrant Annually- Discretion of Inspection

DECKS

<u>INSPECTION SITE</u>	<u>CHECK FOR</u>	
C. DECK HINGES	BROKEN WELDS ON 2" SOLID HINGE POINTS	Visual
D. DECK HINGES	8' PIANO HINGES, LOOSE OR WORN FASTENERS	Visual
E. DECK ROLLERS	FUNCTIONAL AND ROLLS FREE	Visual
F. BUMPER RAIL	BROKEN WELDS, MISSING BUMPER RAIL	Visual

* D & E APPLY TO THE TM-1400 AND THE TM-1800
RECOMMEND INSPECTION OF A THROUGH F BI-ANNUALLY UNLESS OTHERWISE STATED

For More Information Regarding Service or Information
Call 8:00 a.m. - 4:30 p.m. • Monday - Friday E.S.T.
(216) 457-2447 • (216) 457-7280
Facsimile (216) 457-7490



Dedicated to Safety in the Amusement Industry

NON DESTRUCTIVE TESTING

SECTION 3

TM SCOOTER SERIES

BLOCKING

PROPER BLOCKING OF ANY RIDE IS IMPORTANT. EACH LOCATION SITE BRINGS NEW CHALLENGES TO EVERY OPERATOR. PROPER DISCRETION AND JUDGEMENT IS VITAL TO A SAFE OPERATION.

LISTED BELOW ARE:

A. TOTAL QTY OF BLOCKING POINTS PER UNIT

TM - 1400	QTY - 34
TM - 1800	QTY - 44
TM - 2700	QTY - 68

B. TOTAL WEIGHT OF EACH BLOCKING POINT PER UNIT

TM - 1400	REF - Q - 201	WT# PER POINT
TM - 1800	REF - Q - 101	WT# PER POINT
TM - 2700	REF - Q - 303	WT# PER POINT

C. HEIGHT RESTRICTIONS FOR CERTAIN BLOCKING TECHNIQUES

PER MAJESTIC MFG. INC. RECOMMENDATION

1. SINGLE BLOCKING UP TO 6"
2. CRIB BLOCKING BEYOND 6" UP TO

NOTE: WEIGHT CALCULATIONS ARE STATIC LOADS BASED ON AVERAGE INDIVIDUAL WEIGHT OF 170 LBS

For More Information Regarding Service or Information

Call 8:00 a.m. - 4:30 p.m. • Monday - Friday E.S.T.

(216) 457-2447 • (216) 457-7280

Facsimile (216) 457-7490



Dedicated to Safety in the Amusement Industry

NON DESTRUCTIVE TESTING

See Service Bulletin SB-91-3 to replace wood insulator with UHMW material.

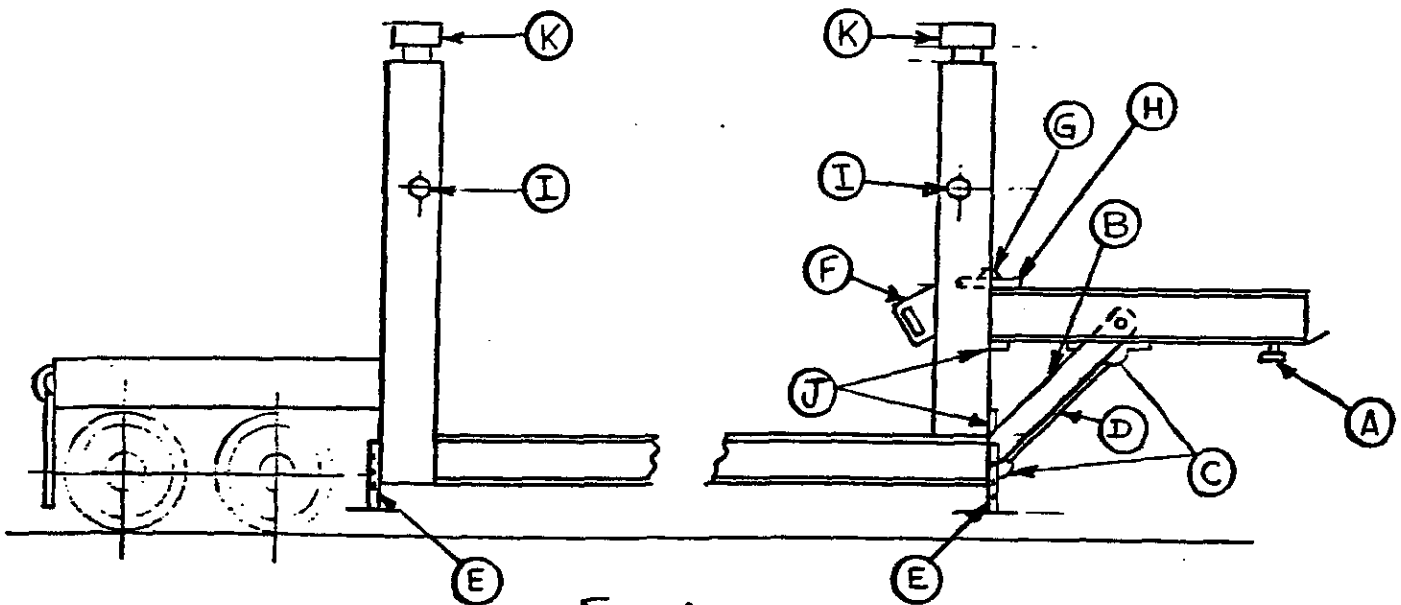


FIG. 1

For More Information Regarding Service or Information
Call 8:00 a.m. - 4:30 p.m. • Monday - Friday E.S.T.
(216) 457-2447 • (216) 457-7280
Facsimile (216) 457-7490



Dedicated to Safety in the Amusement Industry

NON DESTRUCTIVE TESTING

SECTION 2

TM SCOOTER SERIES TRAILER

<u>INSPECTION SITES</u>	<u>CHECK FOR</u>	
A. GOOSENECK KING PIN	SECURE MOUNTING	Visual
B. GOOSENECK PIVOT ARMS	FREE FROM CRACK WELDS, ENDCAPS IN PLACE	Visual
C. GOOSENECK PIVOT POINT	BROKEN WELDS, EXCESSIVE WEAR	Visual
D. GOOSENECK FOLDING PLATE LIII	BROKEN WELDS OR EXCESSIVE WEAR ON PIPE ENDS	Visual
E. MECHANICAL JACKS	WORN HOLES FOR ADJUSTABLE PINS	Visual
F. SAFETY BAR	FUNCTIONAL AND WITH RIDE	Visual
G. DRIVE PINS	FUNCTIONAL AND WITH RIDE	Visual
H. WELDMENT FOR DRIVE PINS	BROKEN WELDS OR EXCESSIVE WEAR ON HOLES	Visual
I. 1" & 1½" POST NUTS	BROKEN WELDS, WORN THREADS	Visual
J. GOOSENECK STABILIZER	BROKEN WELDS ON ATTACHMENT PINS, STABILIZER FUNCTIONAL	Visual
K. MAIN POST INSULATORS LIII	1. SUFFICIENT CLEARANCE BETWEEN STEEL POST AND ALUMINUM CAP 2. WOOD INSULATION TIGHTLY SECURE IN POST 3. DESIGN MODIFICATION UPDATE (See Service Bulletin SB-91-3)	Visual

For More Information Regarding Service or Information
Call 8:00 a.m. - 4:30 p.m. • Monday - Friday E.S.T.
(216) 457-2447 • (216) 457-7280
Facsimile (216) 457-7490



Dedicated to Safety in the Amusement Industry

NON DESTRUCTIVE TESTING

SECTION 1

ELECTRICAL

ELECTRICAL WIRING AND ELECTRICAL COMPONENTS

- A. RECOMMENDED VISUAL INSPECTION OF ALL ELECTRICAL PANELS, COVERS, FIXTURES, AND ELECTRICAL CABLE.
- B. PROPER ISOLATION IS OBTAINED BETWEEN FLOOR AND CEILING.

AREAS OF PARTICULAR IMPORTANCE ARE:

TM-1400, TM-1800, AND TM-2700:

- 1. CONNECT TO TYPE OF VOLTAGE REQUIRED.
- 2. KEEP ALL ELECTRICAL COVERS IN PLACE AND ALL SAFETY DEVICES OPERATING PROPERLY.
- 3. PROPER GROUNDING.
- 4. VISUAL INSPECTION TO INSURE PROPER ISOLATION BETWEEN FLOOR AND CEILING.
- 5. SUFFICIENT POWER IS SUPPLIED TO OPERATE SCOOTER.

For More Information Regarding Service or Information
Call 8:00 a.m. - 4:30 p.m. • Monday - Friday E.S.T.
(216) 457-2447 • (216) 457-7280
Facsimile (216) 457-7490



Dedicated to Safety in the Amusement Industry

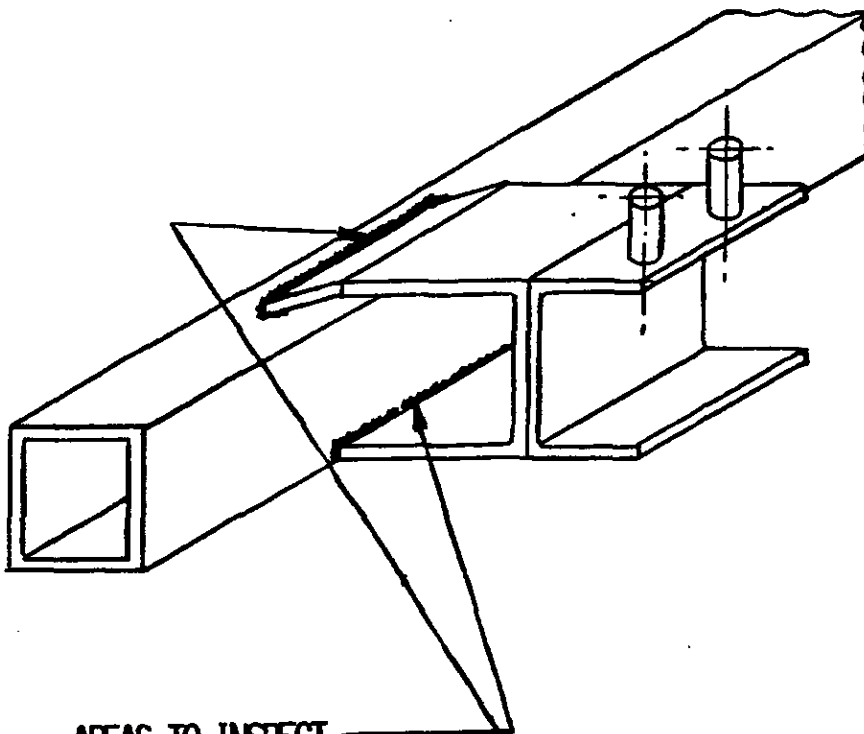
Majestic

Majestic Manufacturing, Inc. • P.O. Box 128
State Route 7 • New Waterford, Ohio 44445

NON DESTRUCTIVE TESTING

TM-1400, 1800 & 1800 EURO SCOOTER SERIES

1. ANNUAL VISUAL INSPECTION OF RAFTER EXTENSION BRACKET.



AREAS TO INSPECT

For More Information Regarding Service or Information
Call 8:00 a.m. - 4:30 p.m. • Monday - Friday E.S.T.
(216) 457-2447 • (216) 457-7280
Facsimile (216) 457-7490



Dedicated to Safety in the Amusement Industry

Majestic

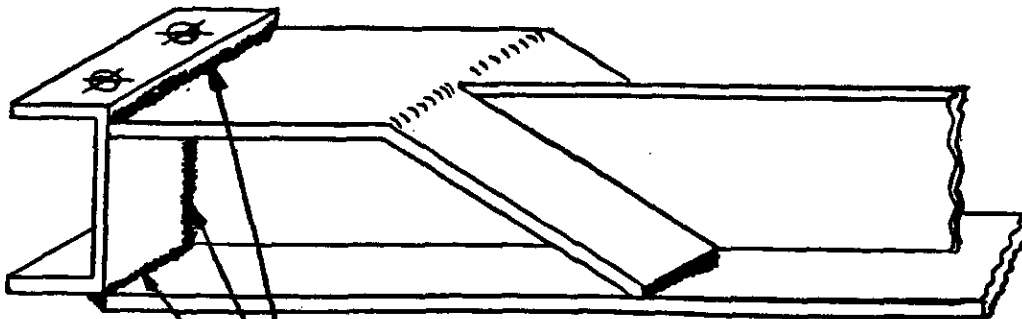
Majestic Manufacturing, Inc. • P.O. Box 121
State Route 7 • New Waterford, Ohio 44441

NON DESTRUCTIVE TESTING

TM-1400, 1800, & 1800 EURO SCOOTER SERIES

RAFTER SUPPORT BEAMS

1. ANNUAL VISUAL INSPECTION OF ENTIRE RAFTER FOR BROKEN WELDS.



AREA TO INSPECT

For More Information Regarding Service or Information
Call 8:00 a.m. - 4:30 p.m. • Monday - Friday E.S.T.
(216) 457-2447 • (216) 457-7280
Facsimile (216) 457-7490



Dedicated to Safety in the Amusement Industry

Majestic

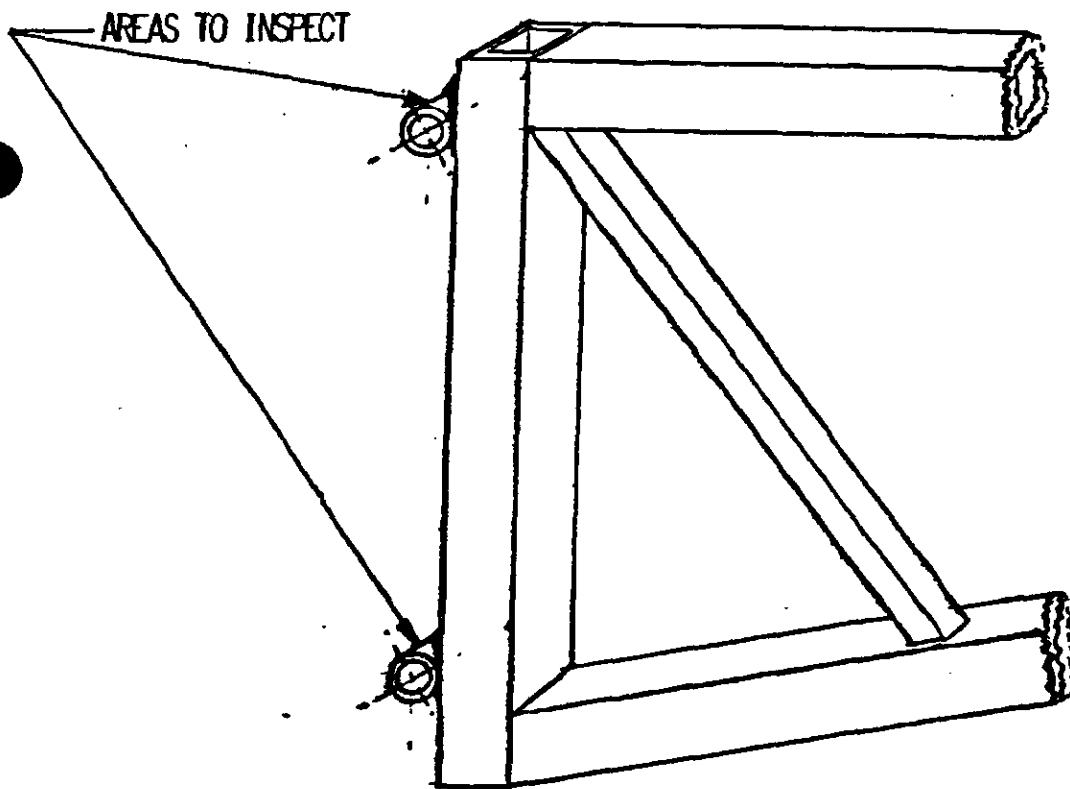
Majestic Manufacturing, Inc. • P.O. Box 121
State Route 7 • New Waterford, Ohio 44445

NON DESTRUCTIVE TESTING

QUADZILLA

REAR DECK SUPPORT PURLINS

1. ANNUAL VISUAL INSPECTION OF ENTIRE SUPPORT PURLINS.



For More Information Regarding Service or Information
Call 8:00 a.m. - 4:30 p.m. • Monday - Friday E.S.T.
(216) 457-2447 • (216) 457-7280
Facsimile (216) 457-7490



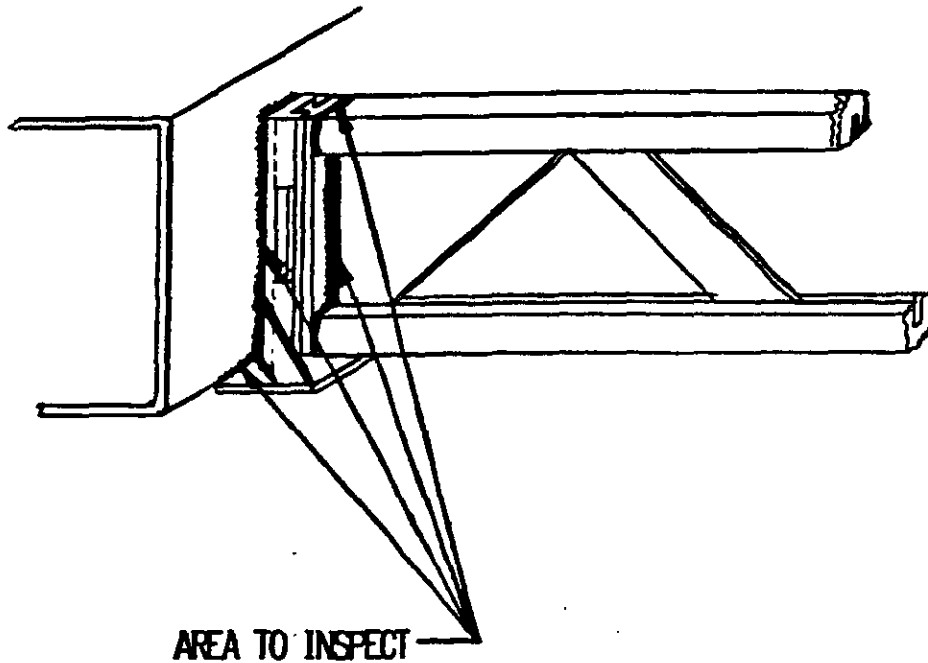
Dedicated to Safety In the Amusement Industry

NON DESTRUCTIVE TESTING

TM-2700 SCOOTER SERIES

RAFTER SUPPORT WELDMENTS

1. ANNUAL VISUAL INSPECTION OF ENTIRE RAFTER AND SPREADER RAFTERS FOR BROKEN WELDS.



For More Information Regarding Service or Information
Call 8:00 a.m. - 4:30 p.m. • Monday - Friday E.S.T.
(216) 457-2447 • (216) 457-7280
Facsimile (216) 457-7490

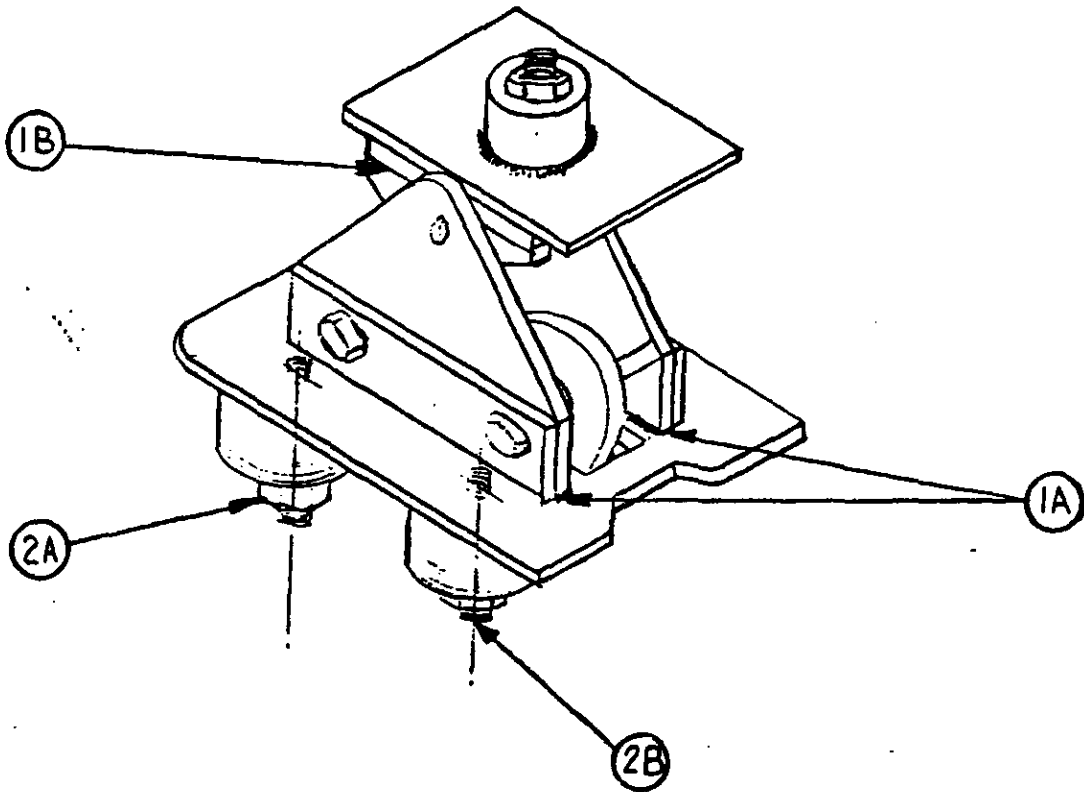


Dedicated to Safety in the Amusement Industry

NON DESTRUCTIVE TESTING

QUADZILLA UNDER CAR MONORAIL TRUCK ASSEMBLY

1. ANNUAL VISUAL INSPECTION OF FOLLOWING AREAS FOR BROKEN WELDS. (1A) (1B)



2. GUIDE ROLLER STUDS
(2A) VISUAL CHECK WHEEL STUD FOR SECURITY IN TRUCK ASSEMBLY.
(2B) VISUAL CHECK FOR DAMAGED THREADS ON WHEEL STUDS.

For More Information Regarding Service or Information
Call 8:00 a.m. - 4:30 p.m. • Monday - Friday E.S.T.
(216) 457-2447 • (216) 457-7280
Facsimile (216) 457-7490



Dedicated to Safety in the Amusement Industry

Majestic

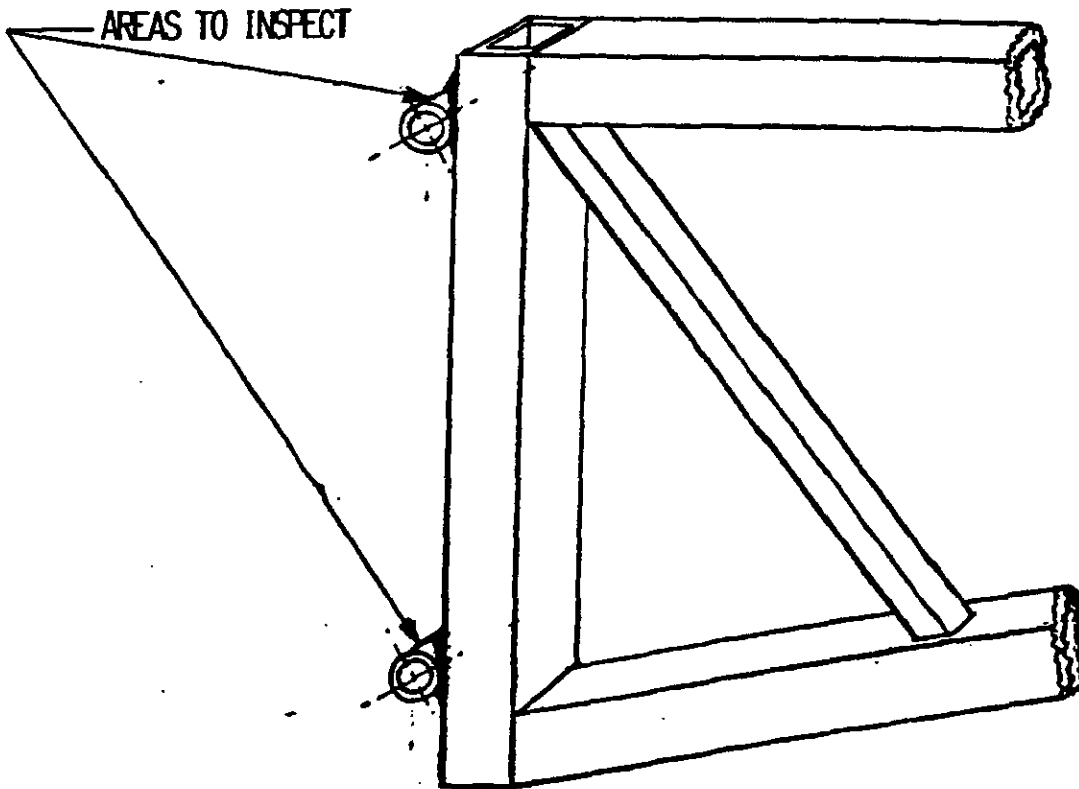
Majestic Manufacturing, Inc. • P.O. Box 128
State Route 7 • New Waterford, Ohio 44445

NON DESTRUCTIVE TESTING

QUADZILLA

REAR DECK SUPPORT PURLINS

1. ANNUAL VISUAL INSPECTION OF ENTIRE SUPPORT PURLINS.



For More Information Regarding Service or Information
Call 8:00 a.m. - 4:30 p.m. • Monday - Friday E.S.T.
(216) 457-2447 • (216) 457-7280
Facsimile (216) 457-7490



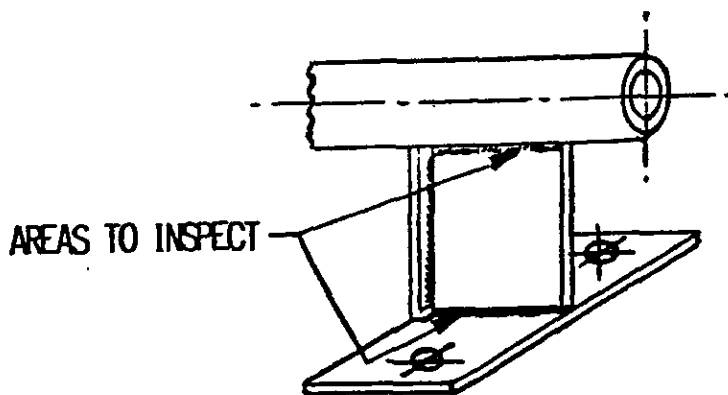
Dedicated to Safety in the Amusement Industry

NON DESTRUCTIVE TESTING

QUADZILLA

MONORAIL TRACK

1. ANNUAL VISUAL INSPECTION OF ENTIRE MONORAIL FOR BROKEN WELDS.



For More Information Regarding Service or Information
Call 8:00 a.m. - 4:30 p.m. • Monday - Friday E.S.T.
(216) 457-2447 • (216) 457-7280
Facsimile (216) 457-7490



Dedicated to Safety in the Amusement Industry

Majestic

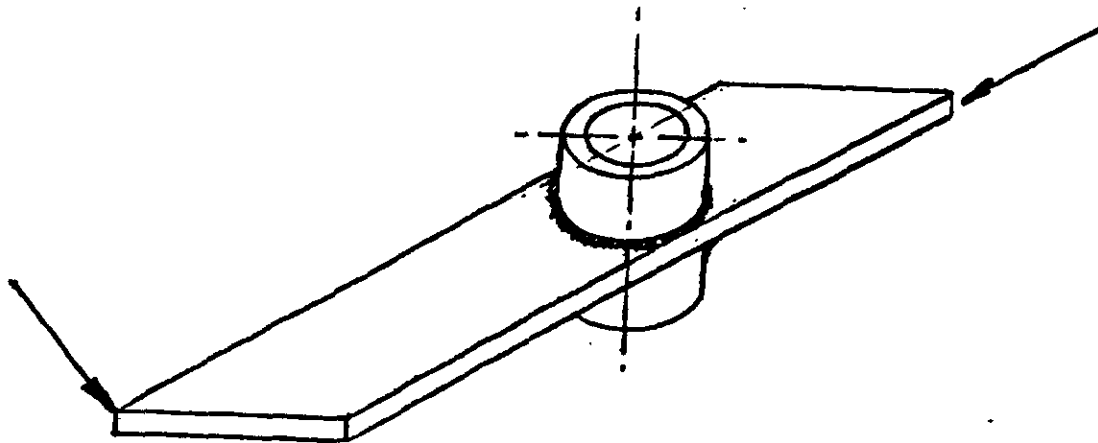
Majestic Manufacturing, Inc. • P.O. Box 121
State Route 7 • New Waterford, Ohio 44441

NON DESTRUCTIVE TESTING

QUADZILLA

UNDER CAR MONORAIL TRUCK ASSEMBLY

1. ANNUAL VISUAL INSPECTION OF MOUNTING PLATE IN CAR FOR BROKEN WELDS.



For More Information Regarding Service or Information
Call 8:00 a.m. - 4:30 p.m. • Monday - Friday E.S.T.
(216) 457-2447 • (216) 457-7280
Facsimile (216) 457-7490



Dedicated to Safety in the Amusement Industry

Majestic

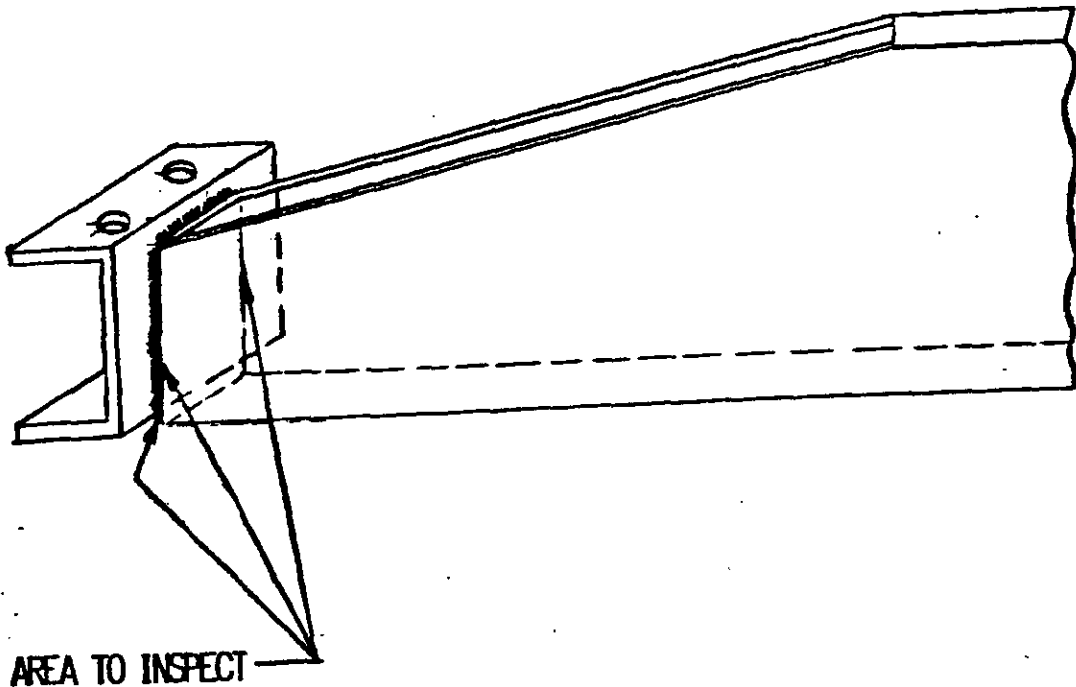
Majestic Manufacturing, Inc. • P.O. Box 128
State Route 7 • New Waterford, Ohio 44445

NON DESTRUCTIVE TESTING

TM-900 SCOOTER SERIES

RAFTER SUPPORT CHANNELS

1. ANNUAL VISUAL INSPECTION OF ENTIRE RAFTER FOR BROKEN WELDS.



For More Information Regarding Service or Information
Call 8:00 a.m. - 4:30 p.m. • Monday - Friday E.S.T.
(216) 457-2447 • (216) 457-7280
Facsimile (216) 457-7490



Dedicated to Safety in the Amusement Industry

Majestic

Majestic Manufacturing, Inc. • P.O. Box 128
4536 State Route 7 • New Waterford, Ohio 44445

SUBJECT: CAM LOCK

ATTN: OWNER/OPERATOR,

This Bulletin pertains to operation of your Majestic unit. This Service Bulletin *must* remain with owner's manual. If you have any questions regarding this Bulletin, contact our office at (330) 457-2447, M-F 8:00 a.m.-4:30 p.m. E.S.T. • Fax 457-7490

SERVICE BULLETIN

Date: **September 13, 1995**

S.B. Number: **95-1**

Notice:

Majestic Manufacturing, Inc. suggests that the Cam Lock at the rectifier be disconnected every night after operations and during all electrical storms. This is to prevent an electrical surge to the rectifier, destroying the diodes within.

Reassemble the Cam Lock prior to the start-up of ride operations.

This service bulletin must remain with the owners manual.

If you have any questions on factory standards or procedures on our equipment contact Majestic Manufacturing, Inc. during business hours 8:00am to 4:30pm Monday through Friday Eastern Standard Time at 330-457-2447.