

Majestic Manufacturing, Inc.

Majestic Manufacturing, Inc. * PO Box 128
4536 State Route 7, New Waterford, Ohio 44445

Subject: Musik Express Torque Stiffener Plate

ATTN: OWNER/OPERATOR

This bulletin pertains to the operation of your Majestic unit. This Service Bulletin must remain with the owner's manual at all times. If you have any questions regarding the Bulletin, contact our office at 330/457-2447, M-F 8:00a.m. -4:30p.m. E.S.T. ** Fax 330/457-7490.

SERVICE BULLETIN

Date: June 24, 1997

S.B. Number: 97-1 Sheet 1 of 2

Notice:

We have been informed that the two folding motor sweeps' inside bushings may experience excessive wear.

Call the factory for installation instructions on the torque plates to the folding motor sweeps. These plates, P/N H-1756, are available at no charge if they are ordered within 90 days of this bulletin.

If you have any questions on factory standards or procedures on our equipment, contact Majestic Manufacturing, Inc. during normal business hours of 8:00 a.m. to 4:30 p.m. Monday through Friday, E.S.T. at 330/457-2447 or toll free at 1-888-MAJ-RIDE.

Majestic Manufacturing, Inc.

Majestic Manufacturing, Inc. * PO Box 128
4536 State Route 7, New Waterford, Ohio 44445

Subject:

ATTN: OWNER/OPERATOR

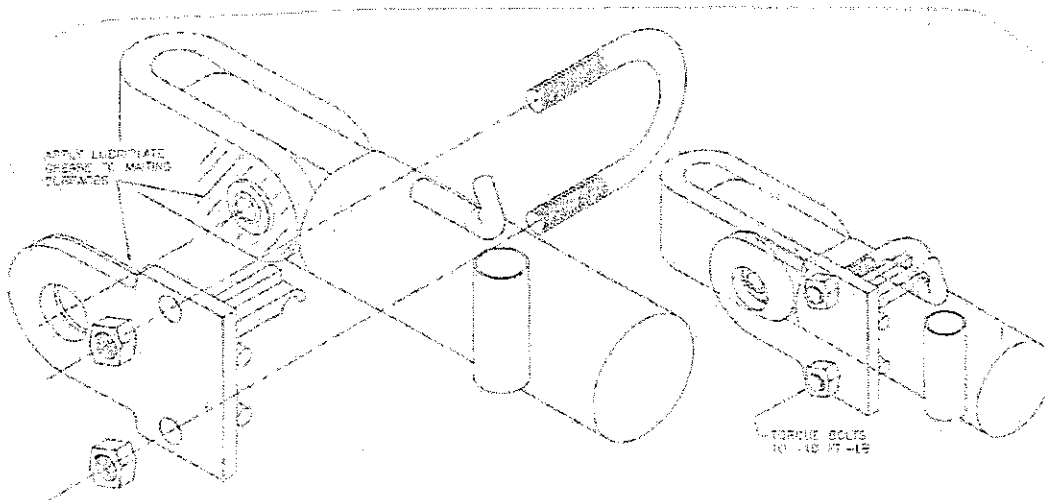
This bulletin pertains to the operation of your Majestic unit. This Service Bulletin must remain with the owner's manual at all times. If you have any questions regarding the Bulletin, contact our office at 330/457-2447, M-F 8:00a.m. -4:30p.m. E.S.T. ** Fax 330/457-7490.

SERVICE BULLETIN

Date: June 24, 1997

S.B. Number: 97-1 Sheet 2 of 2

Notice:



Revised 01/06/03