

Majestic

Majestic Manufacturing, Inc. • P.O. Box 128
4536 State Route 7 • New Waterford, Ohio 44445

SUBJECT: MUSIK EXPRESS FOLDING STAR

ATTN: OWNER/OPERATOR,

This Bulletin pertains to operation of your Majestic unit. This Service Bulletin *must* remain with owner's manual. If you have any questions regarding this Bulletin, contact our office at (330) 457-2447, M-F 8:00 a.m.-4:30 p.m. E.S.T. • Fax 457-7490

SERVICE BULLETIN

Date: May 1, 1996

S.B. Number: 96-3

Notice:

This service bulletin is to all Majestic Music Express units. It has come to our attention that the fasteners holding the plastic fixture to the aluminum frame of the folding star may come loose during operation of the ride. A thorough inspection of each fastener is required. If a correction is needed prior to receiving appropriate fasteners, zip ties can be used temporarily. Call our service department for appropriate fasteners to correct this problem at no charge.

This service bulletin must remain with owner's manual at all times.

If you have any questions on factory standards or procedures on our equipment contact Majestic Manufacturing, Inc. during business hours 8:00am to 4:30pm Monday through Friday Eastern Standard Time at 330-457-2447.

Dedicated to Safety in the Amusement Industry

Majestic

Majestic Manufacturing, Inc. • P.O. Box 128
4536 State Route 7 • New Waterford, Ohio 44445

SUBJECT: ELECTRICAL CONNECTION ON THE MUSIK EXPRESS

ATTN: OWNER/OPERATOR,

This Bulletin pertains to operation of your Majestic unit. This Service Bulletin *must* remain with owner's manual. If you have any questions regarding this Bulletin, contact our office at (330) 457-2447, M-F 8:00 a.m.-4:30 p.m. E.S.T. • Fax 457-7490

SERVICE BULLETIN

Date: May 2, 1996

S.B. Number: 96-4

Notice:

This service bulletin is to all Majestic Music Express units. Periodic inspections is required on all main breakers and fuse connection areas. Thermal expansion and contraction of all attachment points may result in loose connection and eventually burn entire breaker or fuse holder. Inspect and verify integrity of the electrical system to factory standards.

This service bulletin must remain with owner's manual at all times.

If you have any questions on factory standards or procedures on our equipment contact Majestic Manufacturing, Inc. during business hours 8:00am to 4:30pm Monday through Friday Eastern Standard Time at 330-457-2447.

Dedicated to Safety in the Amusement Industry

Majestic

Majestic Manufacturing, Inc. • P.O. Box 128
4536 State Route 7 • New Waterford, Ohio 44445

SUBJECT: WIND BRACE ON MUSIK EXPRESS

ATTN: OWNER/OPERATOR,

This Bulletin pertains to operation of your Majestic unit. This Service Bulletin *must* remain with owner's manual. If you have any questions regarding this Bulletin, contact our office at (330) 457-2447, M-F 8:00 a.m.-4:30 p.m. E.S.T. • Fax 457-7490

SERVICE BULLETIN

Date: May 3, 1996

S.B. Number: 96-5

Notice:

This bulletin is to all Majestic Musik Express units. We have been informed that several units were shipped without the capability of safety keying roof wind braces to eliminate the possibility of the brace not remaining secure while the ride is in operation. Please call the factory to discuss the procedure and resolving the situation.

This service bulletin must remain with owner's manual at all times.

If you have any questions on factory standards or procedures on our equipment contact Majestic Manufacturing, Inc. during business hours 8:00am to 4:30pm Monday through Friday Eastern Standard Time at 330-457-2447.

Dedicated to Safety in the Amusement Industry

Majestic

Majestic Manufacturing, Inc. • P.O. Box 128
4536 State Route 7 • New Waterford, Ohio 44445

SUBJECT: MAIN CONTROL BOARD ON THE MUSIK EXPRESS

ATTN: OWNER/OPERATOR,

This Bulletin pertains to operation of your Majestic unit. This Service Bulletin *must* remain with owner's manual. If you have any questions regarding this Bulletin, contact our office at (330) 457-2447, M-F 8:00 a.m.-4:30 p.m. E.S.T. • Fax 457-7490

SERVICE BULLETIN

Date: May 6, 1996

S.B. Number: 96-6

Notice:

This bulletin is in reference to general preventative maintenance on the main P.C. control board to insure proper reliability from this unit. Stable conditions must exist.

The P.C. board must be free from:

1. Excessive dust
2. Moisture
3. Heat
4. High/low or unregulated voltage
5. High/low or unregulated Hertz cycle
6. Loose connections
7. Untrained personnel

The maximum RPM is 13.5 This speed should be maintained and not exceeded.

This service bulletin must remain with owner's manual at all times.

If you have any questions on factory standards or procedures on our equipment contact Majestic Manufacturing, Inc. during business hours 8:00am to 4:30pm Monday through Friday Eastern Standard Time at 330-457-2447.

Dedicated to Safety In the Amusement Industry

Majestic

Majestic Manufacturing, Inc. • P.O. Box 128
4536 State Route 7 • New Waterford, Ohio 44445

SUBJECT: GENERAL INSPECTION MUSIK EXPRESS

ATTN: OWNER/OPERATOR,

This Bulletin pertains to operation of your Majestic unit. This Service Bulletin *must* remain with owner's manual. If you have any questions regarding this Bulletin, contact our office at (330) 457-2447, M-F 8:00 a.m.-4:30 p.m. E.S.T. • Fax 457-7490

SERVICE BULLETIN

Date: May 6, 1996

S.B. Number: 96-7

Notice:

This bulletin is to inform owner/operators of the daily and periodic inspections of the following areas on the Musik Express to insure proper factory standards for a safe and efficient ride.

Listed below are the main areas to inspect:

- 1. Interior and exterior of each tub for sharp objects, loose connections or safety equipment and placard not up to factory standards.**
- 2. All safety pins and R keys for wear, fatigue or missing from unit. Tubs, sweeps, center etc.**
- 3. Anti skid strip on walk board for wear, looseness or missing from unit.**
- 4. Safety gates working properly and effectively.**
- 5. E-stop button working properly.**

This service bulletin must remain with owner's manual at all times.

If you have any questions on factory standards or procedures on our equipment contact Majestic Manufacturing, Inc. during business hours 8:00am to 4:30pm Monday through Friday Eastern Standard Time at 330-457-2447.

Majestic

Majestic Manufacturing, Inc. • P.O. Box 128
4536 State Route 7 • New Waterford, Ohio 44445

SUBJECT: MUSIK EXPRESS PIN INSPECTION

ATTN: OWNER/OPERATOR,

This Bulletin pertains to operation of your Majestic unit. This Service Bulletin *must* remain with owner's manual. If you have any questions regarding this Bulletin, contact our office at (330) 457-2447, M-F 8:00 a.m.-4:30 p.m. E.S.T. • Fax 457-7490

SERVICE BULLETIN

Date: July 25, 1996

S.B. Number: 96-10

Notice:

This bulletin is to inform owner/operators of inspecting scenery pin integrity.

We have been informed that on several Musik Express scenery panels, on the top structure, have the plastic bushing and pin coming loose or even missing, that attach one panel to another.

Upon receiving this bulletin, call our office for details on how to correct this situation.

This service bulletin must remain with owner's manual at all times.

If you have any questions on factory standards or procedures on our equipment contact Majestic Manufacturing, Inc. during business hours 8:00am to 4:30pm Monday through Friday Eastern Standard Time at 330-457-2447.

Majestic

Majestic Manufacturing, Inc. • P.O. Box 128
4536 State Route 7 • New Waterford, Ohio 44445

SUBJECT: MUSIK EXPRESS PICK-UP ASSEMBLY

ATTN: OWNER/OPERATOR,

This Bulletin pertains to operation of your Majestic unit. This Service Bulletin *must* remain with owner's manual. If you have any questions regarding this Bulletin, contact our office at (330) 457-2447, M-F 8:00 a.m.-4:30 p.m. E.S.T. • Fax 457-7490

SERVICE BULLETIN

Date: October 7, 1996

S.B. Number: 96-11

Notice:

This Bulletin is to inform owner/operators of the integrity of the hoist pick-up assembly.

We have been informed by one Musik Express owner that if a swivel were attached to the hoist pick-up point, this would facilitate a positive lift and reduce wear by letting the tub move without binding the chain hoist. This swival assembly is being offered FREE OF CHARGE for ninety (90) days by calling our office.

This service bulletin must remain with owner's manual at all times.

If you have any questions on factory standards or procedures on our equipment contact Majestic Manufacturing, Inc. during business hours 8:00am to 4:30pm Monday through Friday Eastern Standard Time at 330-457-2447.

02/01/01 18:08 MAJESTIC MFG → 19413522919

Majestic

Majestic Manufacturing, Inc. • P.O. Box 128
4538 State Route 7 • New Waterford, Ohio 44445

**SUBJECT: FOLDING MOTOR SWEEP TORQUE STIFFNER PLATE.
ALL MAJESTIC MUSIK EXPRESS UNITS.**

ATTN: OWNER/OPERATOR,

This Bulletin pertains to operation of your Majestic unit. This Service Bulletin must remain with owner's manual. If you have any questions regarding this Bulletin, contact our office at (216) 457-2447, M-F 8:00 a.m.-4:30 p.m. E.S.T. • Fax 457-7490

SERVICE BULLETIN

Date: June 24, 1997

S.B. Number: 97-1 Sheet 1 of 1

Notice:

This Service bulletin is to all Musik Express units. We have been informed that the two folding motor sweeps' inside bushings may experience excessive wear.

Call the factory for installation instructions of the torque plates to the folding motor sweeps. These plates P/N H-1756 are available at no charge if ordered within 90 days of this bulletin.

This Service Bulletin must remain with the owners manual at all times. All work must be performed by qualified personnel, capable of understanding the function of the parts and their proper installation.

If you have any questions on factory standards or procedures on our equipment, contact Majestic Manufacturing, Inc. during business hours 8:00a.m. to 4:30p.m. Monday through Friday, Eastern Standard Time at 330-457-2447 or toll free at 1-888-MAJ-RIDE.

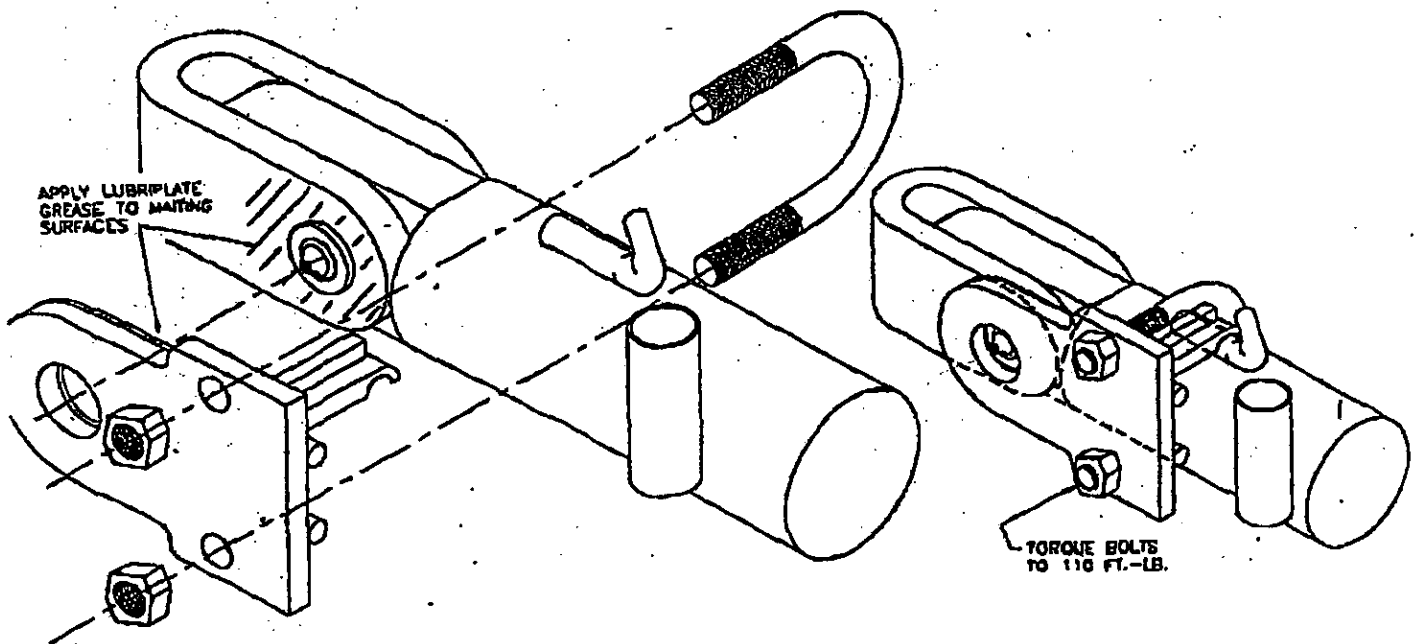
Post-it® Fax Note	7671	Date	6/26/01	# of pages	2
To	RIDE INSPECTORS	From	MAJESTIC MANUFACTURING		
Co./Dept.		Co.	FIA DEPT 5		
Phone #		Phone #	850-922-2330		
Fax #		Fax #	850-413-8513		

02/01/01 18:13 MAJESTIC MFG → 19413522919

**SUBJECT: FOLDING MOTOR SWEEP TORQUE STIFFNER PLATE.
ALL MAJESTIC MUSIK EXPRESS UNITS.**

June 24, 1997

97-1 Sheet 2 of 2



Majestic Manufacturing, Inc.

Majestic Manufacturing, Inc. * PO Box 128
4536 State Route 7, New Waterford, Ohio 44445

Subject: Musik Express Gooseneck Inspection

ATTN: OWNER/OPERATOR

This bulletin pertains to the operation of your Majestic unit. This Service Bulletin **must** remain with the owner's manual at **all** times. If you have any questions regarding the Bulletin, contact our office at 330/457-2447, M-F 8:00a.m. -4:30p.m. E.S.T. ** Fax 330/457-7490.

SERVICE BULLETIN

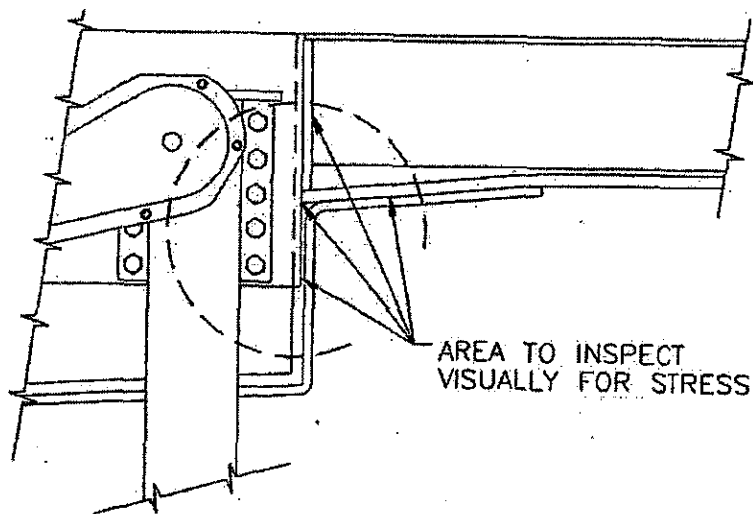
Date: May 16, 1998

S.B. Number: 98-1

Notice:

It should be noted that certain highway conditions and travel speed over adverse roads might apply excessive stress to the noted areas on the drawing.

A weekly visual inspection should be performed in the areas noted on the drawing below.



If you have any questions on factory standards or procedures on our equipment, contact Majestic Manufacturing, Inc. during normal business hours of 8:00 a.m. to 4:30 p.m. Monday through Friday, E.S.T. at 330/457-2447 or toll free at 1-888-MAJ-RIDE.

Majestic Manufacturing, Inc.

Majestic Manufacturing, Inc. * PO Box 128
4536 State Route 7, New Waterford, Ohio 44445

Subject: Musik Express Set-up Notice

ATTN: OWNER/OPERATOR

This bulletin pertains to the operation of your Majestic unit. This Service Bulletin must remain with the owner's manual at all times. If you have any questions regarding the Bulletin, contact our office at 330/457-2447, M-F 8:00a.m. -4:30p.m. E.S.T. ** Fax 330/457-7490.

SERVICE BULLETIN

Date: May 14, 1999

S.B. Number: 99-1

Notice:

We have been informed by one of the Musik Express owners that there may be a problem if there is electrical power running to the sweep motors during installation or removal of the tubs from the sweeps. The possibility exists that as the sweeps are jogged around by hand, the motors may engage and start the ride turning. To avoid this, you must turn the motor circuit breaker to the "off" position before beginning to set up or tear down the ride.

If you have any questions on factory standards or procedures on our equipment, contact Majestic Manufacturing, Inc. during normal business hours of 8:00 a.m. to 4:30 p.m. Monday through Friday, E.S.T. at 330/457-2447 or toll free at 1-888-MAJ-RIDE.

Majestic Manufacturing, Inc.

Majestic Manufacturing, Inc. * PO Box 128
4536 State Route 7, New Waterford, Ohio 44445

Subject: Music Express Ride Balance

ATTN: OWNER/OPERATOR

This bulletin pertains to the operation of your Majestic unit. This Service Bulletin must remain with the owner's manual. If you have any questions regarding the Bulletin, contact our office at 330/457-2447, M-F 8:00a.m. -4:30p.m. E.S.T. ** Fax 330/457-7490.

SERVICE BULLETIN

Date: August 19, 1999

S.B. Number: 99-3

Notice:

It has come to our attention that there is some confusion about the loading of the Musik Express unit.

The Musik Express is considered to be a balance ride. To ensure a safe and profitable operation, proper patron loading procedures should be followed.

If the Musik Express unit is not running at a full patron capacity, the patrons should be loaded in a criss-cross position. If all the cars are not loaded with passengers, than the cars opposite of each other should be filled to ensure a balanced load.

If you have any questions on factory standards or procedures on our equipment, contact Majestic Manufacturing, Inc. during normal business hours of 8:00 a.m. to 4:30 p.m. Monday through Friday, E.S.T. at 330/457-2447 or toll free at 1-888-MAJ-RIDE.

Majestic Manufacturing, Inc.

Majestic Manufacturing, Inc. * PO Box 128
4536 State Route 7, New Waterford, Ohio 44445

Subject: Music Express Center Star Inspection

ATTN: OWNER/OPERATOR

This bulletin pertains to the operation of your Majestic unit. This Service Bulletin **must** remain with the owner's manual. If you have any questions regarding the Bulletin, contact our office at 330/457-2447, M-F 8:00a.m. -4:30p.m. E.S.T. ** Fax 330/457-7490.

SERVICE BULLETIN

Date: September 9, 1999

S.B. Number: 99-4

Notice:

In a continuing effort to strive for safety, this service bulletin is for all Musik Express units. This is to inform the owners and operators that the folding star should be inspected so that it does not become detached from the ride while the ride is in operation.

The folding star is suspended from the rafters of the Musik Express. The star acts as part of the lighted scenery and makes a false ceiling over the riders. Inspect the star daily before start-up of the ride and periodically during ride operation.

Important areas of inspection:

- All Safety bolts through the aluminum channel and plastic cover are tight and secure.
- The telescoping end is not worn or broken.
- The outside perimeter is securely attached with the proper pins and safety cables.
- If unsure about each and every inspection point, call Majestic Manufacturing.

If any of these areas present excessive wear or missing parts, **immediate** repair is necessary.

If you have any questions on factory standards or procedures on our equipment, contact Majestic Manufacturing, Inc. during normal business hours of 8:00 a.m. to 4:30 p.m. Monday through Friday, E.S.T. at 330/457-2447.

Majestic Manufacturing, Inc.

Majestic Manufacturing, Inc. * PO Box 128
4536 State Route 7, New Waterford, Ohio 44445

Subject: Music Express Pin Inspection

ATTN: OWNER/OPERATOR

This bulletin pertains to the operation of your Majestic unit. This Service Bulletin **must** remain with the owner's manual. If you have any questions regarding the Bulletin, contact our office at 330/457-2447, M-F 8:00a.m. -4:30p.m. E.S.T. ** Fax 330/457-7490.

SERVICE BULLETIN

Date: September 9, 1999

S.B. Number: 99-5

Notice:

This service bulletin is to be observed by all Musik Express owners and operators.

In a continuing effort to strive for a safe and profitable operation of the Musik Express unit, the following inspection must be performed daily. All Pins, R-Keys (or hairpins), diaper pins (safety key), or cotter keys, must be inspected daily. If the pins are missing or worn excessively, then they **must** be replaced. It is especially important that all sweep pins, tub pins, and keys are checked several times during the day.

If unsure about each and every pin or key location, call Majestic.

If you have any questions on factory standards or procedures on our equipment, contact Majestic Manufacturing, Inc. during normal business hours of 8:00 a.m. to 4:30 p.m. Monday through Friday, E.S.T. at 330/457-2447.

MAJESTIC

Majestic Manufacturing, Inc.
 PO Box 128, 4536 State Rte. 7
 New Waterford, Ohio 44445

ATTN: OWNER/OPERATOR

This bulletin pertains to operation of your Majestic unit. This Service Bulletin must remain with the owner's manual. If you have any questions regarding this bulletin, contact our office at: (330) 457-2447, M-F 8:00 am. - 4:30 p.m. EST * Fax: (330) 457-7490.

SERVICE BULLETIN

Date: June 27, 2000

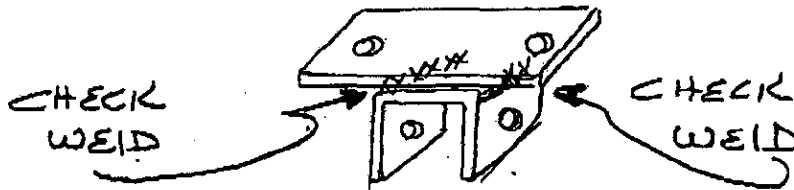
S.B. Number: 2000-6

Notice: **Musik Express Tub Bracket Assembly**

This service bulletin is to be observed by all Musik Express owners and operators.

All pin attachment points under each tub must be inspected immediately and report to Majestic Mfg. if any cracking is found. The area to look for is the weldment between the flat plate and U channel.

See Fig. 1



This inspection must be performed prior to next operation of ride and any cracks or broken welds must be repaired immediately and not put into service until a thorough inspection and repairs has been performed.

If unsure about each and every pin attachment point location, please call Majestic Manufacturing, Inc.

If you have any questions on factory standards or procedures on our equipment contact Majestic Manufacturing, Inc. during business hours: 8:00 am. to 4:30 p.m. Monday - Friday, Eastern Standard Time at (330) 457-2447.

Dedicated to Safety in the Amusement Industry

BFI 01-01 R1

Majestic Manufacturing, Inc.

Majestic Manufacturing, Inc. * PO Box 128
4536 State Route 7, New Waterford, Ohio 44445

Subject: Musik Express Bolts on the Sweep Bracket

ATTN: OWNER/OPERATOR

This bulletin pertains to the operation of your Majestic unit. This Service Bulletin must remain with the owner's manual at all times. If you have any questions regarding the Bulletin, contact our office at 330/457-2447, M-F 8:00a.m.-4:30p.m. E.S.T. ** Fax 330/457-7490.

SERVICE BULLETIN

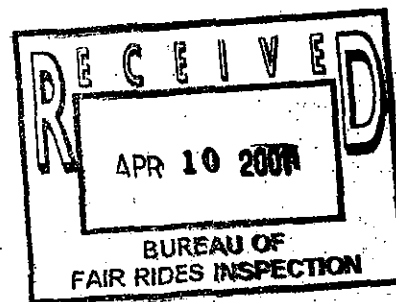
Date: February 28, 2001

S.B. Number: 2001-01

Notice:

This Service Bulletin is to be observed by all Musik Express owners and operators.

In a continuing effort to strive for a safe and profitable operation of your Musik Express unit, the following bolts are to be checked at the beginning of every month. See Figure 1. The bolts holding the Sweep Mounting Bracket and the Sweeps together are designed with a nylon nut or a locking nut. These need to be tightened for they may work loose over time. Majestic Manufacturing Inc. requires that the entire Sweep Mounting Bracket bolts and Sweep bolts be checked for tightness at the beginning of every month.



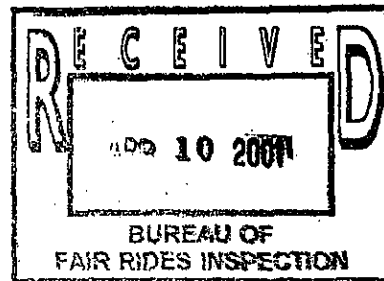
BJI 01-01 p.2



Figure 1.

CHECK NUTS

If you have any questions on factory standards or procedures on our equipment, contact Majestic Manufacturing, Inc. during normal business hours of 8:00 a.m. to 4:30 p.m. Monday through Friday, E.S.T. at 330/457-2447 or toll free at 1-888-MAJ-RIDE.



Majestic Manufacturing, Inc.

Majestic Manufacturing, Inc. * PO Box 128
4536 State Route 7, New Waterford, Ohio 44445

Subject: Musik Express Aluminum Track

ATTN: OWNER/OPERATOR

This bulletin pertains to the operation of your Majestic unit. This Service Bulletin **must** remain with the owner's manual at **all** times. If you have any questions regarding the Bulletin, contact our office at 330/457-2447, M-F 8:00a.m.-4:30p.m. E.S.T. ** Fax 330/457-7490.

SERVICE BULLETIN

Date: August 30, 2001

S.B. Number: 2001-02

Notice:

This bulletin pertains to the safe operation of your Musik Express.

It has come to our attention that cracks have developed on the aluminum track where one track is bolted to the other.

The owner/operator must inspect the area around the singe bar (see diagram). If cracks are visible, they **MUST** be re-welded.

If you have any questions on factory standards or procedures on our equipment, contact Majestic Manufacturing, Inc. during normal business hours of 8:00 a.m. to 4:30 p.m. Monday through Friday, E.S.T. at 330/457-2447 or toll free at 1-888-MAJ-RIDE.

