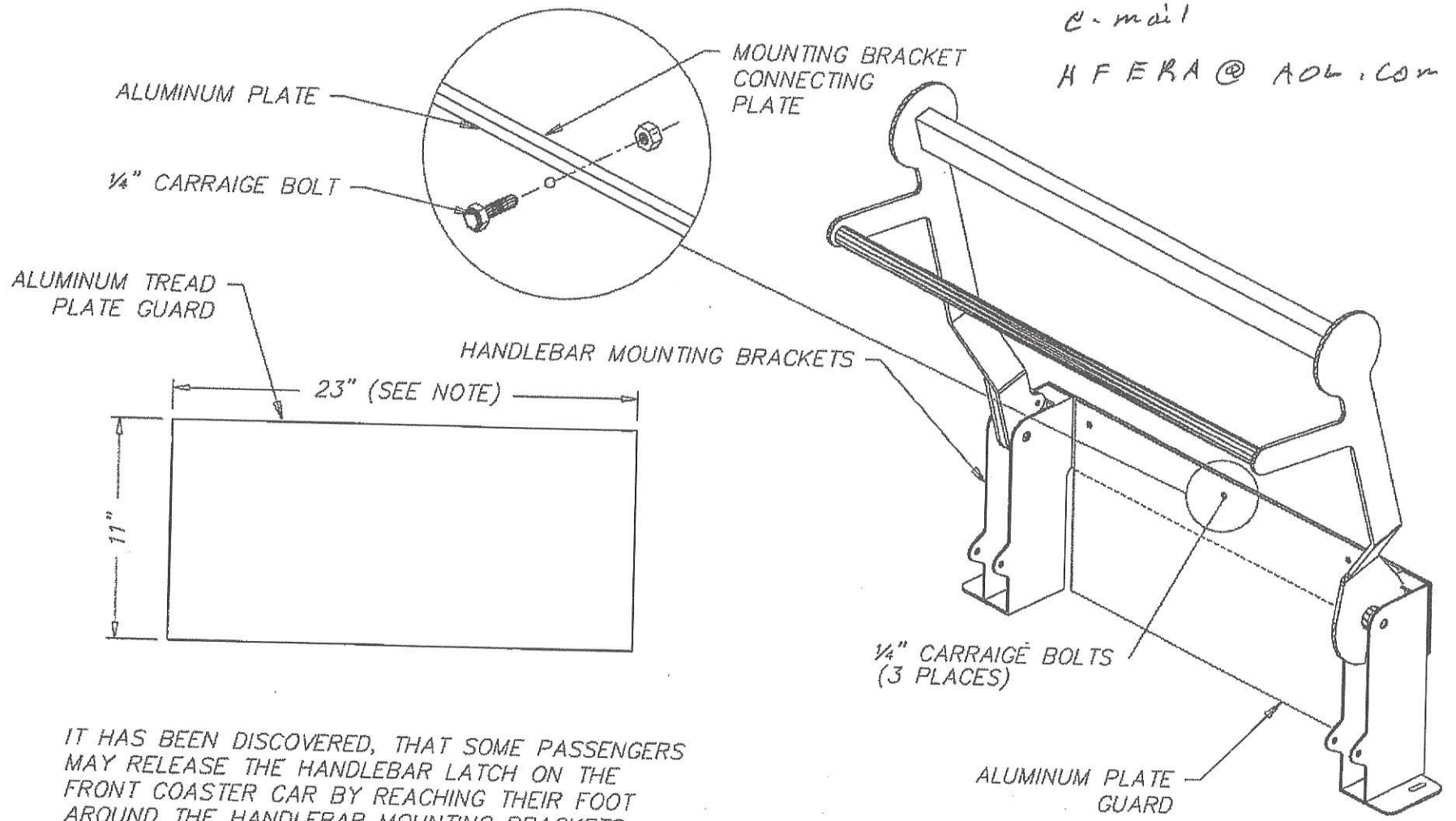



e-mail  
HFERA@ADL.COM



IT HAS BEEN DISCOVERED, THAT SOME PASSENGERS MAY RELEASE THE HANDLEBAR LATCH ON THE FRONT COASTER CAR BY REACHING THEIR FOOT AROUND THE HANDLEBAR MOUNTING BRACKETS. THE ADDITION OF THIS GUARD WILL PREVENT THIS.

TO INSTALL: HOLD ALUMINUM TREAD PLATE GUARD IN PLACE AGAINST THE INSIDE OF THE MOUNTING BRACKET CONNECTING PLATE. DRILL  $\frac{5}{16}$ " HOLE THROUGH BOTH PLATES AND ATTACH WITH 3  $\frac{1}{4}$ " CARRAIGE BOLTS.

THE WIDTH OF THE ALUMINUM TREAD PLATE GUARD MAY VARY DEPENDING ON THE DISTANCE BETWEEN THE TWO HANDLEBAR MOUNTING BRACKETS.

 <b>WISDOM INDUSTRIES</b> Merino, CO 80741	
SCALE: 1 1/2" = 1'-0"	APPROVED BY:
DATE: 2-28-97	DRAWN BY: JGK
DESCRIPTION	
HANDLEBAR KICK PLATE	
EQUIPMENT:	DRAWING NUMBER
COASTERS	3C-KICK