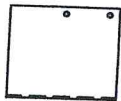
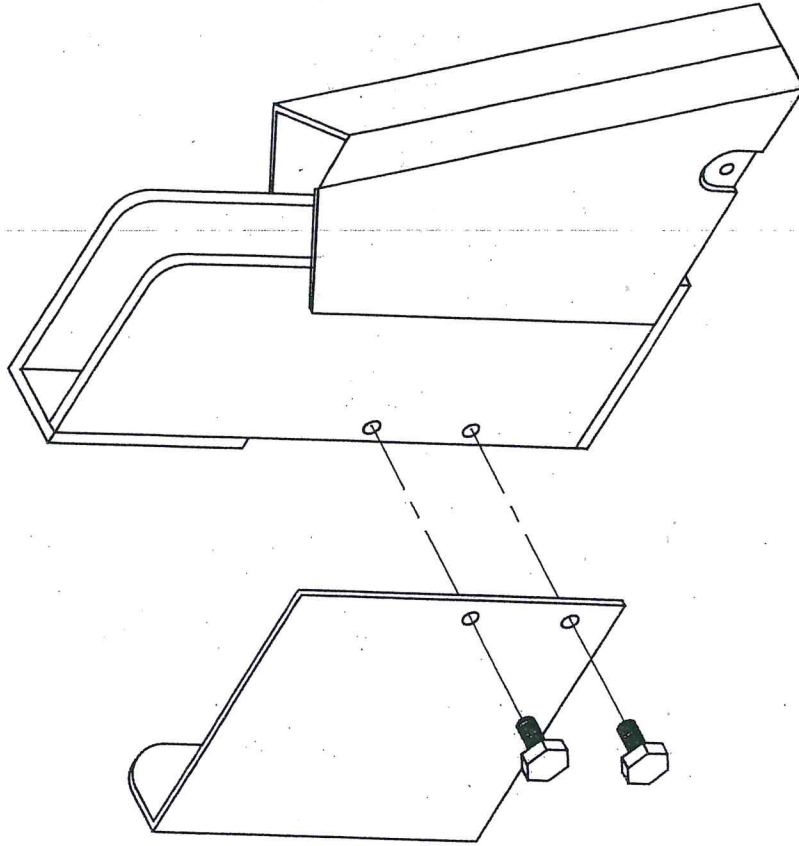
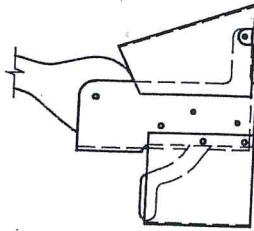


TOP VIEW



SIDE VIEW



FRONT CAR ASS'Y ONLY

IT HAS BEEN DISCOVERED THAT SOME PASSENGERS MAY RELEASE LATCH WITH FOOT. THE ADDITION OF THIS GUARD WILL PREVENT THIS AND STILL ALLOW THE OPERATOR TO MANUALLY RELEASE THE LATCH.

TO INSTALL: HOLD GUARD IN PLACE TO INSIDE OF RIGHT LATCH HOUSING. MAKE HOLE PATTERN ON HOUSING. DRILL 2-3/16" HOLES & USE 2 SELF TAPPING SCREWS INCLUDED WITH MOUNT.

MAKE SURE SELF TAPPING SCREW ENDS DO NOT INTERFERE WITH GEAR TEETH OR RELEASE MECHANISM.



WISDOM INDUSTRIES

Merino, CO 80741

SCALE: 1"=1'-0"

APPROVED BY:

DATE: 9-18-95

DRAWN BY: JLC

REVISED

DESCRIPTION

HANDLEBAR COVER PLATE

EQUIPMENT:

COASTERS

DRAWING NUMBER

3C-01