



WISDOM INDUSTRIES, INC



COASTER BULLETIN

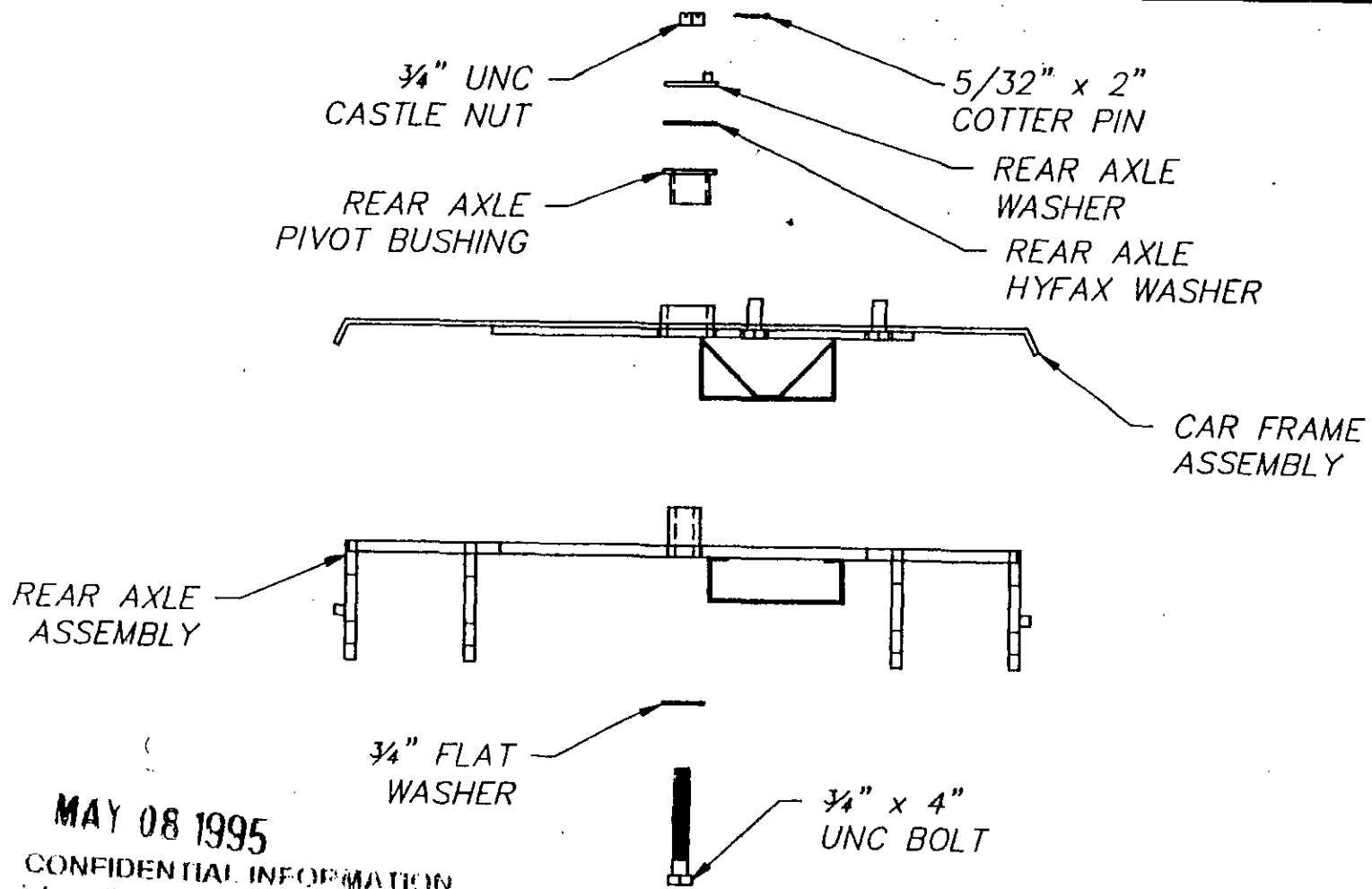
DATE: MAY 1995
RIDE: COASTER
NOTE: Serial numbers affected are #832735 thru #832835
SUBJECT: ATTACHMENT BOLT FOR CAR FRAME TO AXLE BASE
PER DRAWING 9C-415

Recent inspections of bolt assembly under car seat shows wear to upper washer part #BWF751. To eliminate the possibility of car frame from separating from axles assembly, the bolt, nut, and washer must be replaced as follows:

INSTALLATION:

1. Turn all electrical power off (lock out).
2. Block cars so they cannot move on the track.
3. Remove axle pivot bolt from under the seat liner.
4. Install new 3/4" X 4" bolt and flat washer.
5. The bolt comes up from under the car axle assembly through the car frame. (Place flat spot on side of washer next to traction plate).
6. Install plastic washer over bolt.
7. Install fabricated washer over bolt (1/4" key stock facing up).
8. Thread 3/4" castle nut onto bolt (Make sure nut seats into key stock).
9. Tighten castle nut until snug, then loosen until slot lines up with hole in bolt.
Do not tighten.
10. Install 5/32" cotter pin.
11. Repeat steps 3-10 for all cars.
12. Remove blocks from cars.
13. Apply power to system.
14. Run unit without passengers.
15. Recheck bolts to make sure they are not binding.
16. Complete daily check of ride and if all is in order continue as normal.


Thank you for your cooperation in this matter. If you have any questions about this bulletin, please feel free to contact us at 1-800-634-6097 or 1-970-522-7515.



MAY 08 1995

CONFIDENTIAL INFORMATION

The information and data contained herein is proprietary and is submitted in confidence, and shall not be disclosed, used or duplicated for any purpose whatsoever without the prior written permission of Forsythe & Dawkins Truck and Bus Industries, P.O. Box 5000, Detroit, Michigan 48206. This legend shall be marked on all reproductions hereof in whole or in part. Receipt of this document shall be deemed to be an acceptance of the conditions specified herein.

 WISDOM INDUSTRIES Merino, CO 80741		APPROVED BY:	DRAWN BY: MFK
		SCALE: 1 1/2" = 1'-0"	REVISED
DATE: 04-17-95		DESCRIPTION: REAR AXLE BULLETIN	
EQUIPMENT: CHINA DRAGON		DRAWING NUMBER: BULLET	