



WMI INDUSTRIES, LTD.

RE:GRAVITRON CONSOLE CENTER POST INSPECTION

Compliance: Mandatory

Frequency: Annual

Due to reports of cracked console upright posts the following inspection is required.

See enclosed drawing for areas to inspect.

Inspection procedure:

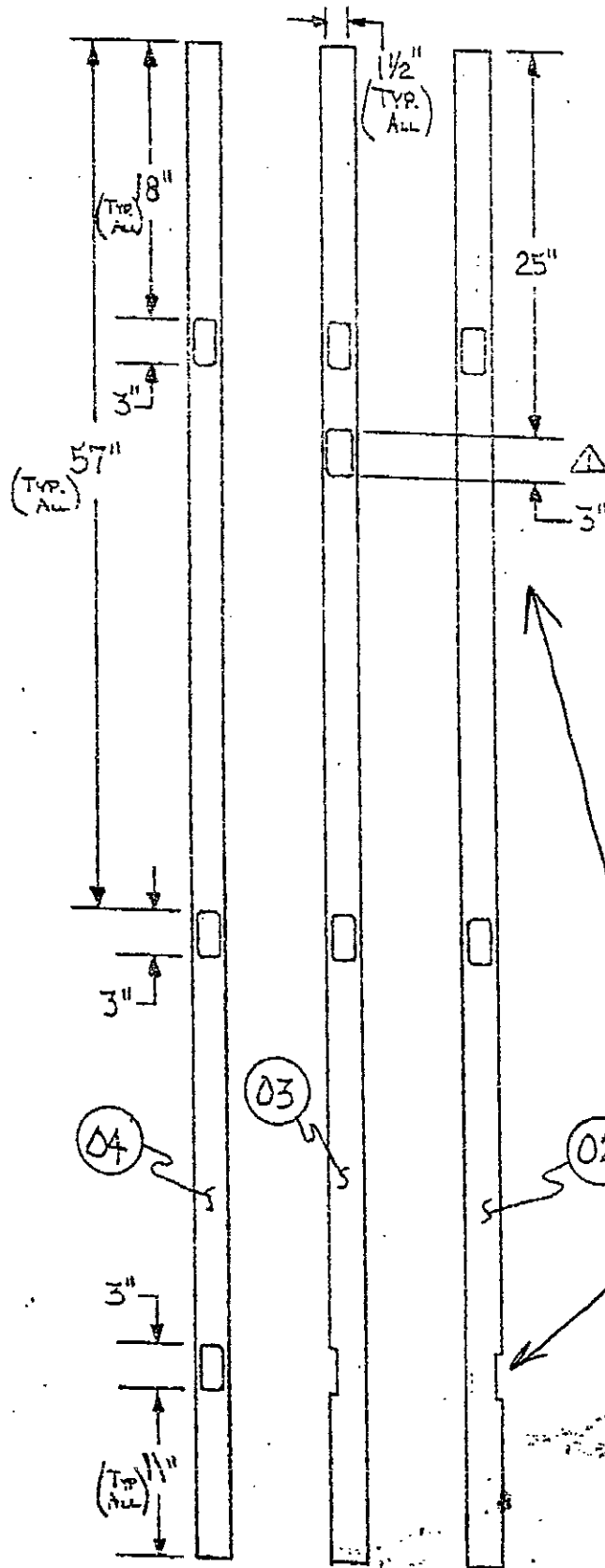
1. Remove the operators seat from the console.
2. Lift out the console seat platform that the operators seat was pinned to.

DANGER!

HIGH VOLTAGE IS IN THE AREA UNDER THE FLOOR OF THE CONSOLE. TURN OFF THE MAIN ELECTRICAL POWER AND LOCK OUT THE DISCONNECT SO THAT THE POWER CAN NOT BE TURNED ON WHILE INSPECTING THE CONSOLE. SERIOUS INJURY OR DEATH CAN RESULT.

3. Inspect the area where the console posts are welded to the floor of the turntable.
4. Inspect the area where the console posts are welded to the console. Where the 1" framework is welded to the posts about 18" above the floor of the turntable.
5. Remove the white plastic cups and lights that are next to where the upright posts go through the fiberglass console. This requires removing four of the cups on both the upper and lower fiberglass consoles.
6. Inspect the posts looking into the hole where the light cup was screwed in. Carefully inspect the areas where holes are cut in the upright posts.
7. If no cracks are found reinstall the plastic cups and lights.
8. Inspect the posts where they extend through the upper console fiberglass in the area above the shelf. Carefully inspect the areas where holes are cut in the upright posts.
9. If cracks are found contact us for proper repair procedure.
10. Reinstall console seat platform and seat.

ATTACHMENT "A"

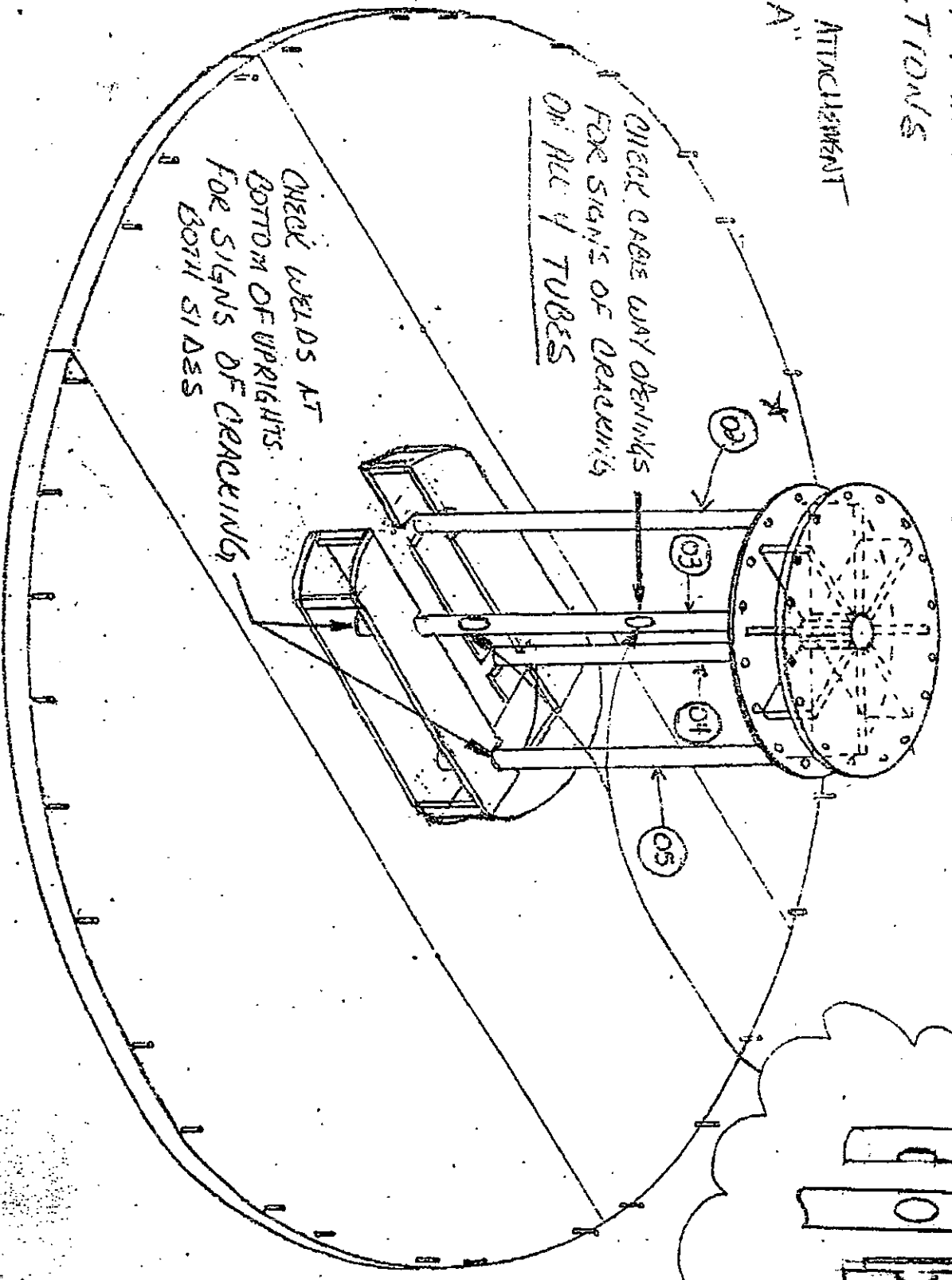


Inspect all cut outs for cracks

CUT OUT DETAILS - SUPPORT PIPES

CONTACT MANUFACTURER FOR REPAIR
INSTRUCTIONS

* FOUND ON ATTACHMENT
SHEET "A"



ISOMETRIC VIEW OF TURNTABLE
CONTROL BODY

