



March 25, 1987

We have recently found that one owner of a RAIDER has had problems with leg injuries on the bounce at the bottom of the fiberglass slide. His operators used spray wax to lubricate the white UHMW polyethylene plastic in the slide. The lubrication causes adults to go too fast down the slide. Another problem caused by the spray wax is that the spray wax causes the vinyl material of the bounce to become sticky. This causes their feet to catch when they land. Only, the operator that has used lubrication on his slide has had any problems with injuries.

**UNDER NO CONDITION SHOULD ANY LUBRICATION BE USED ON THE SLIDE.**

To help reduce the chance of injuries, if the slide does get lubricated, we want you to remove the white plastic from the curved end section of slide only. This will slow the passengers before they land on the bounce.

Remove the white plastic from the hinge on the front edge of the trailer to the end of the slide. To remove the plastic, drill out the rivets with a 3/16" drill bit. Lift off the plastic and clean off the double sided tape. The round slides may be rough under the white plastic. If your slide is rough, sand with 400 grit sand paper till it is smooth.

**CAUTION!** Be sure that the shank of the rivets are completely drilled out or punched through the fiberglass so there is nothing that can catch clothing or cut.

If you have any questions give Jerry or me a call.

Sincerely,

Victor Wisdom

nb/VLW

## INSTALLING THE NEW END SECTION

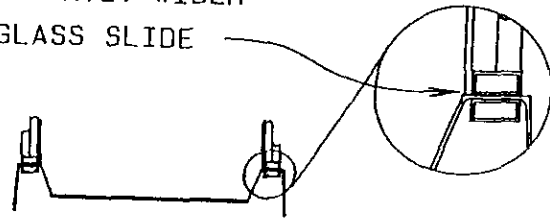
1. Remove the end section of slide at the hinge.
2. Unbolt the upper canopy frame from the fiberglass.
3. Place the canopy on the new section of slide.
4. Line up the end of the canopy with the end of the fiberglass slide. (See drawing)
5. Line up the inside edge of the canopy with the inside edge of the fiberglass slide. (See drawing)
6. Drill for four mounting bolts and bolt down one side.
7. Adjust the other side of the canopy and bolt down.

**IMPORTANT!** It is better to have the frame slightly wide so that it does not stick inside of the canopy on the middle section of slide.

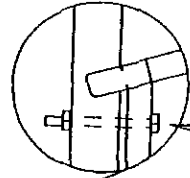
8. Drill one hole through the canopy and the new side frames and bolt the sections together. Be sure that the frame does not protrude in where customers can catch their fingers when sliding down the slide.
9. Repeat with other side.
10. Connect the new lower slide section at the hinge.
11. Drill three 11/16 holes where the fiberglass slide sections meet. Use the original three holes on the middle section of slide as a guide.
12. After the slide section is installed check that the canopy and fiberglass do not stick out where a finger can get jammed.

SOME PLASTIC NEEDS TO BE  
FLUSH, OR SLIGHTLY WIDER  
THAN FIBERGLASS SLIDE

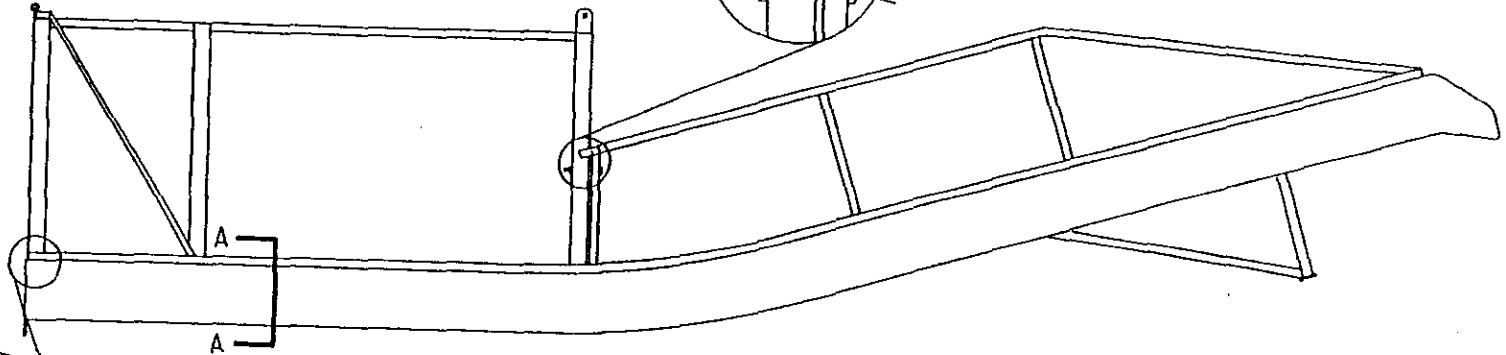
# NEW END SECTION



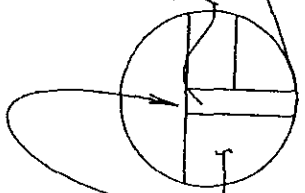
BOLT FLUSH ON INSIDE  
TYP. BOTH SIDES



SECTION A-A



1"X2" TUBING



HOLD FLUSH WITH END  
OF SLIDE SECTION.

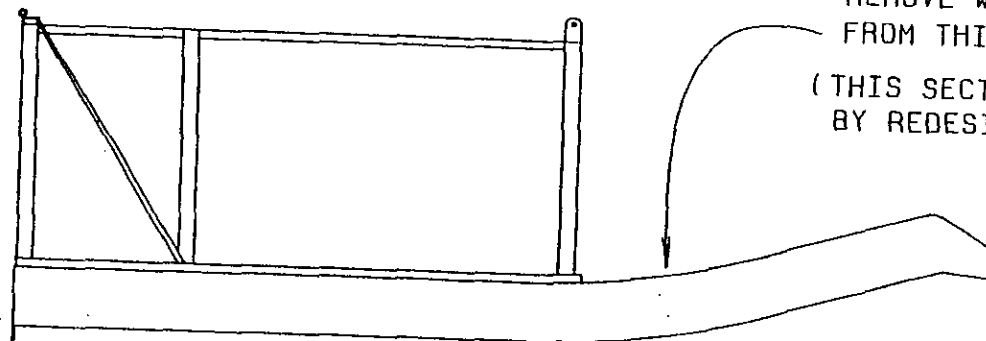
FIBERGLASS

# PRESENT END SECTION

NOTE:

REMOVE WHITE PLASTIC  
FROM THIS SECTION ONLY

(THIS SECTION TO BE REPLACED  
BY REDESIGNED END SECTION)





May 6, 1987

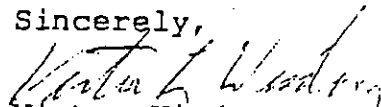
Enclosed are two self adhesive warning stickers. Put at least one sticker at the top of the fiberglass slide. Place the decal on the clear plastic inside the dome where your operators will see it. The other decal can be mounted on the other inside facing side of the dome or at the bottom of the fiberglass slide where the operator can see it. These stickers will let your employees know not to lubricate the fiberglass slide under any condition.

**CAUTION:**

Do not use a spray wax to clean the clear plastic dome of the slide. The over-spray can fall on the white plastic and cause the same problem as waxing the slide. Use an ammonia type of window cleaner to clean the clear plastic dome.

If you have any questions please feel free to call Jerry or me.

Sincerely,

  
Victor Wisdom

nb/VLW