



State of New Jersey
DEPARTMENT OF COMMUNITY AFFAIRS

CHRISTINE TODD WHITMAN
Governor

JANE M. KENNY
Commissioner

MEMORANDUM

July 1, 1999

TO: ALL SAFETY INSPECTORS

FROM: Joseph Palazzone, Chief
Carnival Amusement Rides Safety Program
Bureau of Code Services

SUBJECT: Speedway
AR-99-2

RE: Zamperla Inc.
Bulletin No. 99 SW1

Inspectors are to take immediate action with concerns in the enclosed bulletin. All Speedways in the bulletin shall be immediately modified as per bulletin requirements.

Enclosed you will find computer run out of all speedways operating in the state. Operators of wheels that correspond with bulletin shall be alerted by written order to comply. To eliminate any problems have bulletin ready to show operator when serving notice.

When compliance is gained inspectors are to notify office so the speedway maybe taken off list.



ZAMPERLA INC.
49 Fanny Road
Parsippany, New Jersey 07054-6545
USA
Phone: 973 334 8133 Fax: 973 334 6880

Bulletin No: 99 SW1
Release Date: 06/16/99
Effective Date: 06/16/99
Supersedes:
Completion Date: As soon as possible
Page: 1 of 2

SERVICE BULLETIN

Ride Manufacturer: Zamperla Inc.	Affected Production Dates: All
Ride Name: Speedway	Affected Serial Nos.: All
Model Number: Speedway	

Abstract Of Issue:
Cracks have been found in the bars that support the spring and connect the car to the chain. See area indicated on the accompanying diagram.

Reason For Release:
Same.

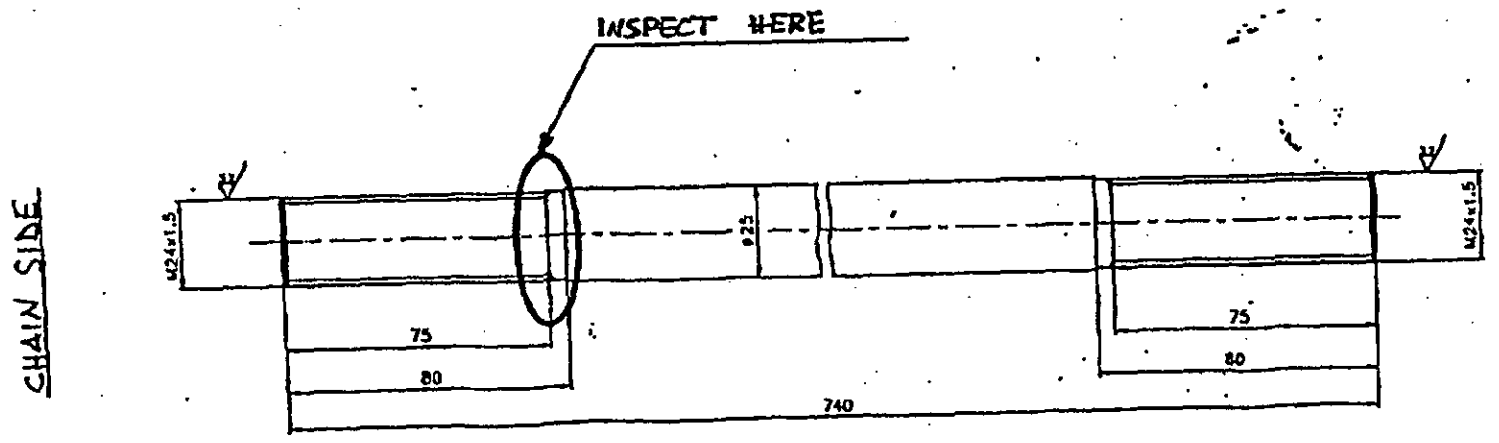
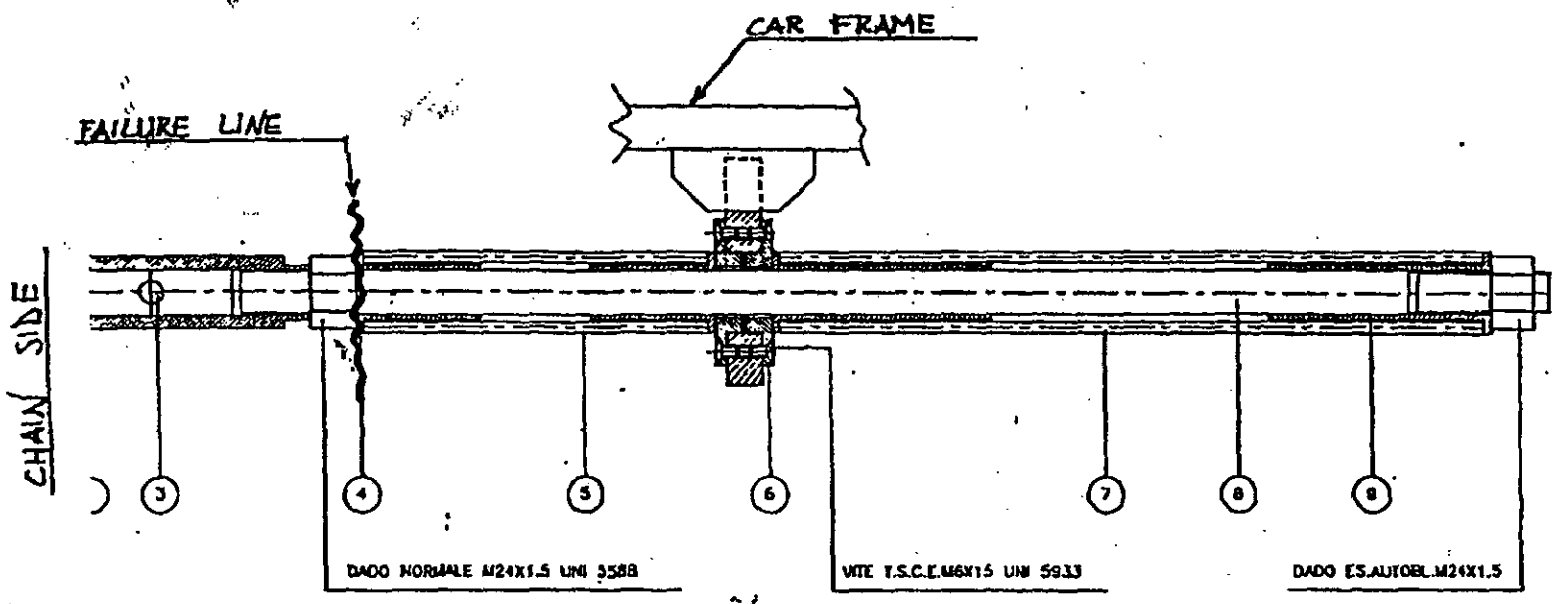
Action To Be Taken:
Close visual control and dye penetrant testing by a certified NDT technician.

Detail Of Issue:
If cracks have been detected in the above mentioned welds and confirmed, please stop the ride and immediately contact Zamperla.

Future Action To Be Taken:
Close visual inspection and dye penetrant testing by a certified NDT technician annually.

JUN-24-99 09:27 AM MAINIMHNDUEY

Zampora



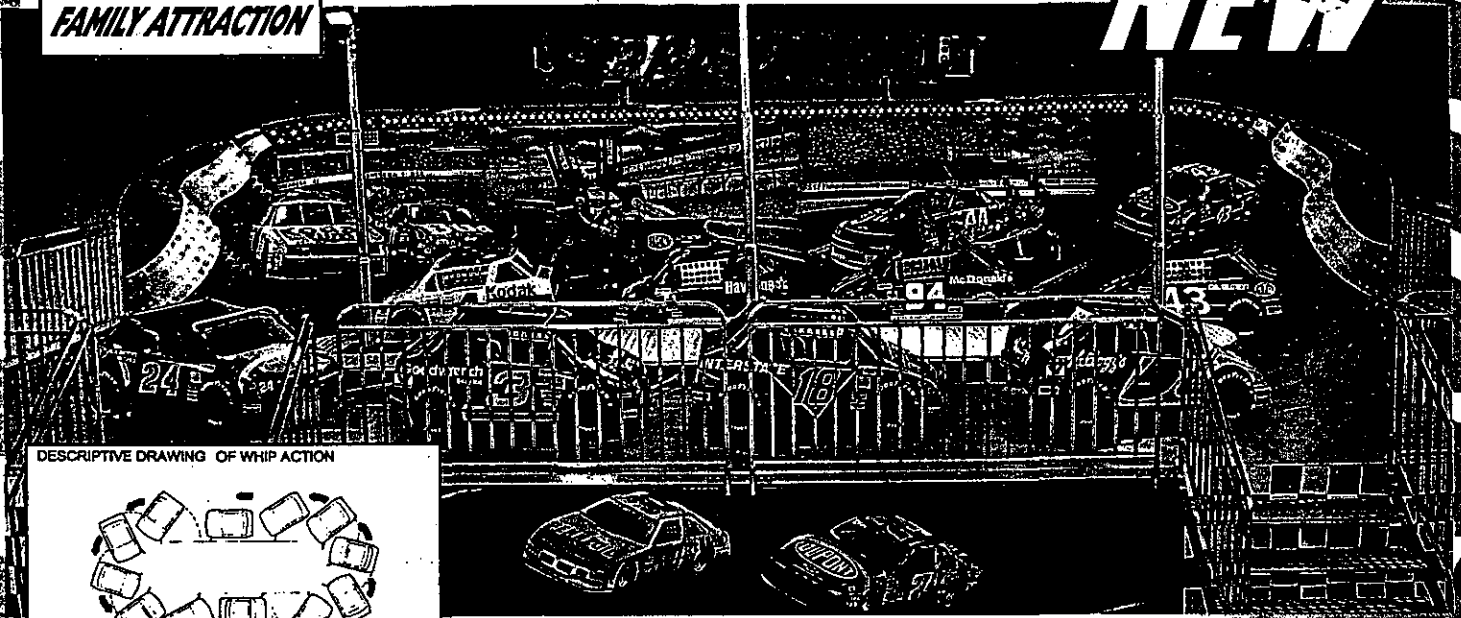
Company Name	Trading As	NJ SERIAL NUMBER	MFG SERIAL NUMBER	MFG NAME	RIDE
Bennett, Bob Inc.		03203	SP08F029US98	Zamperia	Speedway
Gilamco Inc.	T/A Gillian's Wonderland Pier	02673	SP08F019US96	Zamperia Inc.	Speedway
Inners Amusement Company Inc.	T/A Majestic Midways	02749	SP08R003US96	Zamperia	Speedway
Six Flags/Great Adventure	T/A Six Flags/Great Adventure	03253		Zamperia	Speedway
The Morey Organization	T/A Morey's Piers	02956	WW17	Zamperia	Speedway

CLASSIC WHIP ACTION

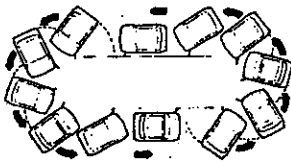
SPEEDWAY™

**A FAST PACED
FAMILY ATTRACTION**

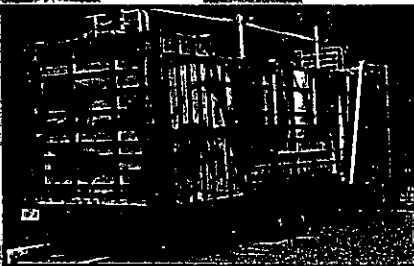
NEW



DESCRIPTIVE DRAWING OF WHIP ACTION



TRAILER VERSION



EASY TO SET UP & TEAR DOWN

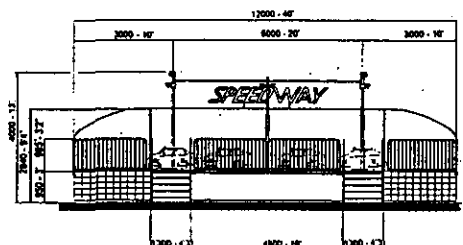
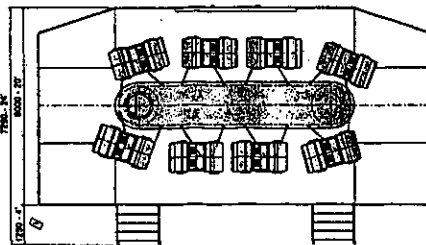
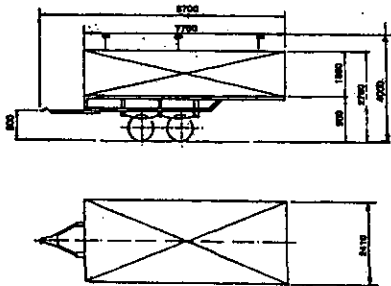
OUR CUSTOMERS' VOICE

"The Speedway is a great addition to our Kiddieland. It is the number one ride with children, out of all our rides, and we have a lot of rides. It makes a wonderful family attraction", Mr. Jim Danton of Wade Shows, Spring Hill, FL

"Out of all manufacturers, Zamperla's Speedway is out top grossing and most popular kiddie ride and we carry 30 kiddie rides. We love it!" Mr. Jim Murphy, President of Blue Grass Shows, Tampa, FL

TECHNICAL SPECIFICATIONS

MOTIVE POWER	4 kW
LIGHTS POWER	7 kW
SEATS	16 children & adults
HOURLY CAPACITY	380
MAX. SPEED	5 rpm
WEIGHT	6000 Kg.(park model) 6800 Kg.(trailer model)
SHIPMENT	1x40 O.T.(park model) Flat rack (trailer model)



ZAMPERLA®

HOME OFFICE/ FACTORY : ANTONIO ZAMPERLA S.p.A. 36077 Altavilla Vicentina (Italy) Via Monte Grappa, 15
PH +39-444-573133 fax 573720 tlx 481499 ZAMPER I e-mail: zamperla@gpnet.it

ZAMPERLA INC.
49 Fanny Road
Parsippany, New Jersey 07054-6545
USA
Phone: 973 334 8133 Fax: 973 334 6880

Bulletin No: 99 SW1 REV
Release Date: 07/02/99
Effective Date: 07/02/99
Supersedes: 99 SW1
Completion Date: As soon as possible
Page: 1 of 2

SERVICE BULLETIN

Ride Manufacturer: Zamperla Inc.	Affected Production Dates: All
Ride Name: Speedway	Affected Serial Nos.: All
Model Number: Speedway	

Abstract Of Issue:

Cracks have been found in the bars that support the spring and connect the car to the chain. Specifically, the area where the threading on the shaft stops. See area indicated on the accompanying diagram.

Reason For Release:

Same.

Action To Be Taken:

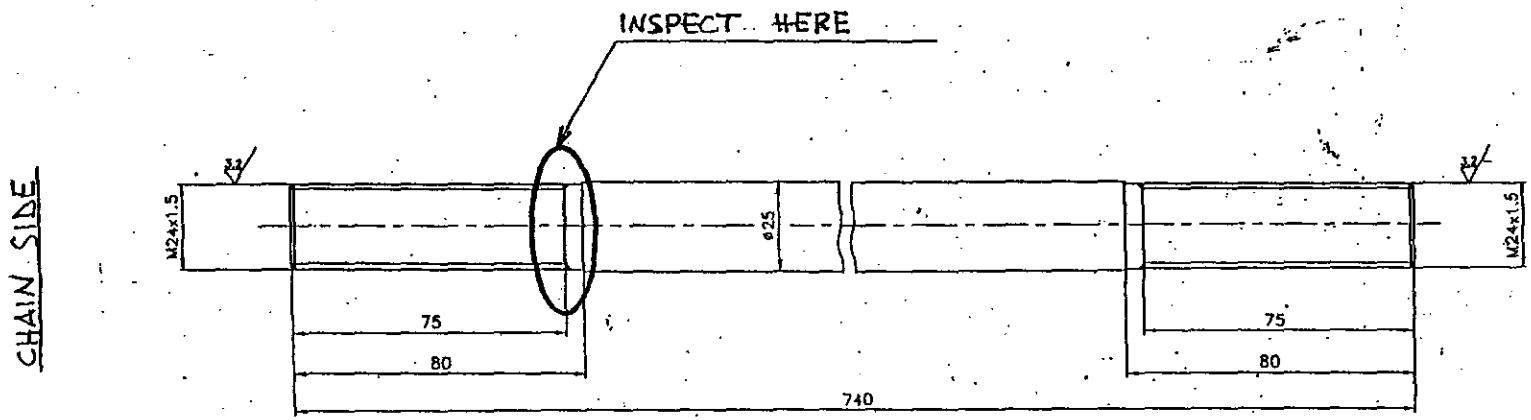
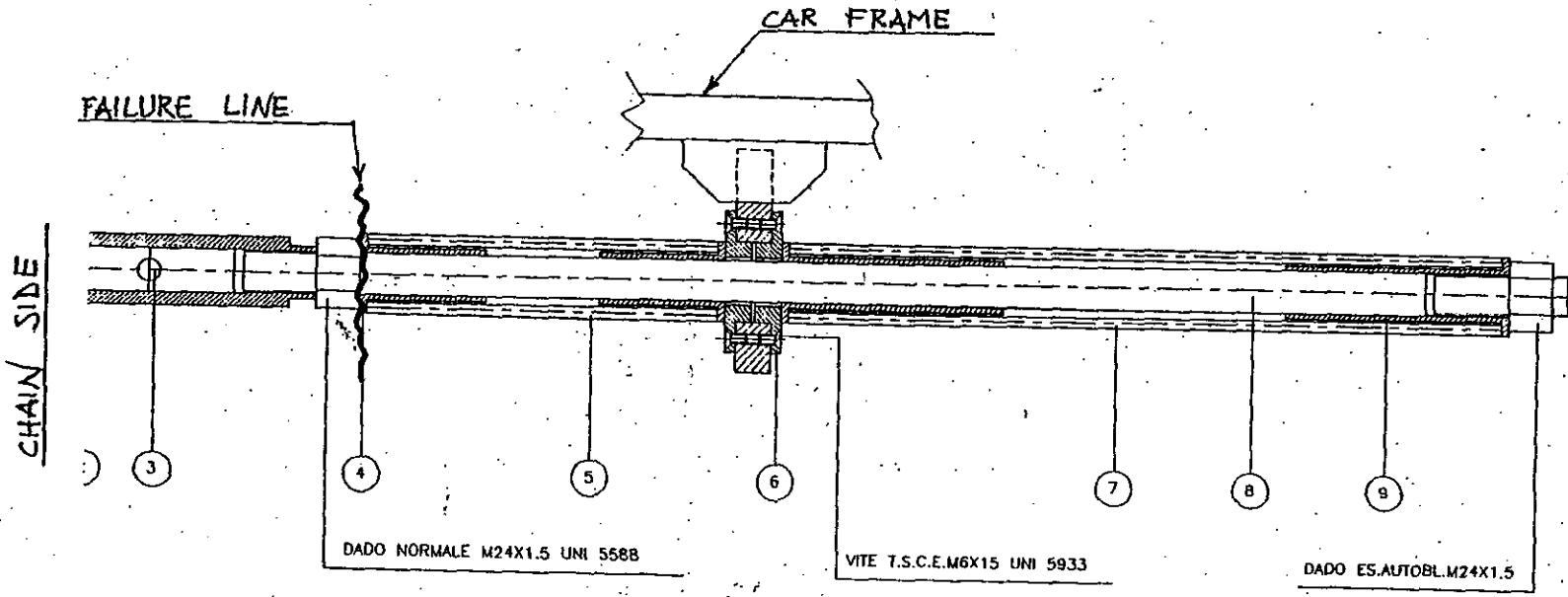
Close visual control and dye penetrant testing by a certified NDT technician. (Rides that are new for the 1999 season may delay testing until next operating season.)

Detail Of Issue:

If cracks have been detected in the above mentioned areas and confirmed, please stop the ride and immediately contact Zamperla.

Future Action To Be Taken:

Close visual inspection and dye penetrant testing by a certified NDT technician annually.



ZAMPERLA INC.
49 Fanny Road
Parsippany, New Jersey 07054-6545
USA
Phone: 973 334 8133 Fax: 973 334 6880

Bulletin No: 2001 SP1

Release Date: 02/19/2001

Effective Date: 01/19/2001

Supersedes:

Completion Date: As soon as possible

Page: 1 of 2

SERVICE BULLETIN

Ride Manufacturer: Zamperla Inc.

Affected Production Dates: All

Ride Name: Speedway

Affected Serial Nos.: All

Model Number: Speedway

Abstract Of Issue:

There is a potential for cracks in the front car attachment rod.

Reason For Release:

Some cracks have been detected in the front car attachment rod.

Action To Be Taken:

*Carefully do a visual inspection in this area on a weekly basis.
Contact Zamperla if an unusual appearance exists in this area.*

Detail Of Issue:

Attached drawing (page 2)

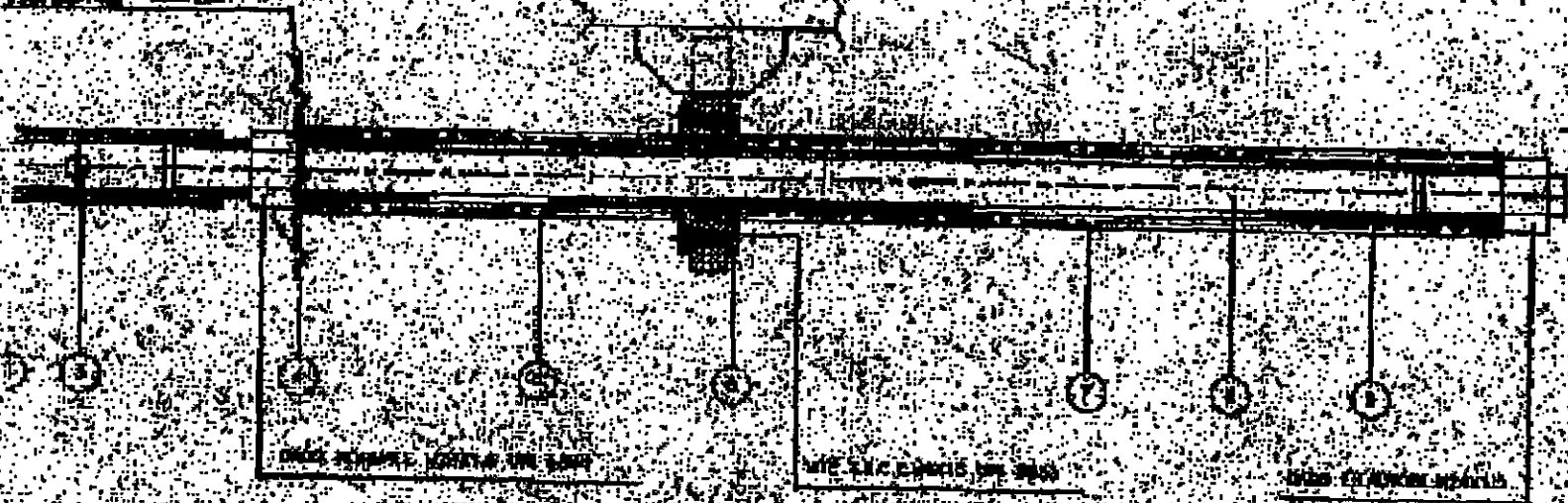
Future Action To Be Taken:

Inspect this area on a regular basis.

ENGINE LINES

CAR FRAME

ENGINE LINES



ENGINE LINES

ENGINE LINES

ENGINE LINES

ENGINE LINES

ENGINE LINES



ENGINE LINES